

Your safety at sea



SM navigation lamps

FIGURE 1

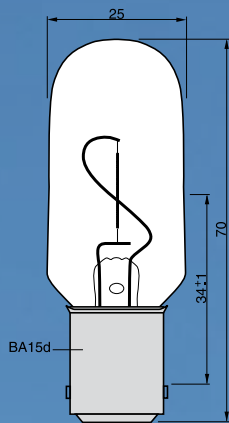


FIGURE 2

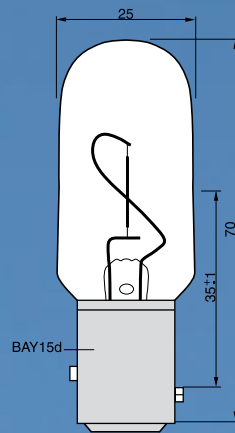


FIGURE 3

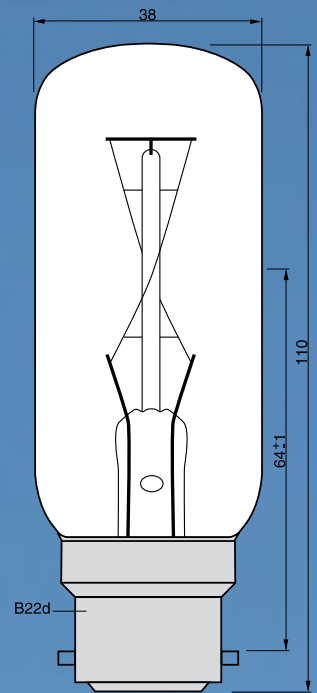


FIGURE 4

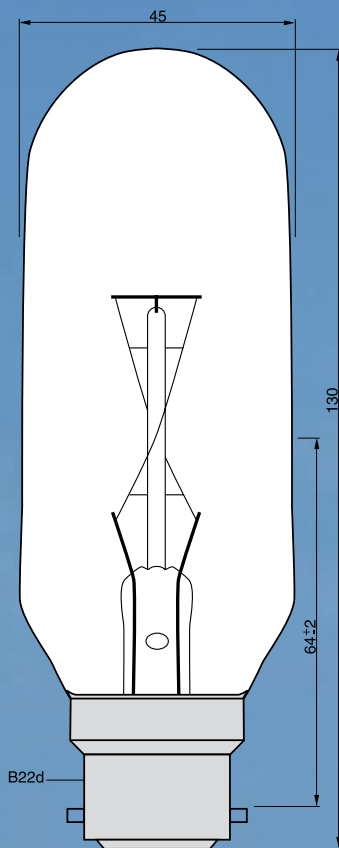


FIGURE 5

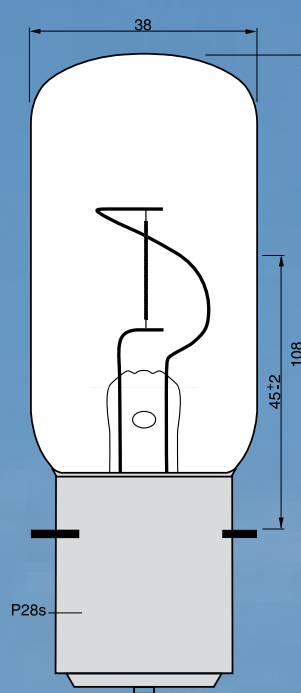
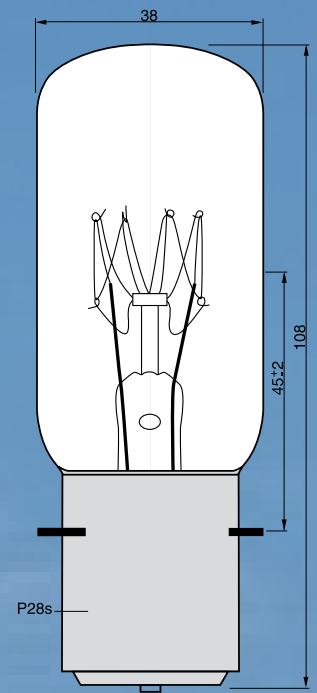


FIGURE 6



- your safety at sea

BA15d

VOLT	CANDELA	WATT	SM-NO.	FIG	Ø/L MM	PKG. QTY.	DIN	NS	US
24	18	25	10033	1	25/70	50		X	
32	24	30	10044		25/70	50			X
230	18	25	10054		25/70	50		X	

BAY15d

VOLT	CANDELA	WATT	SM-NO.	FIG	Ø/L MM	PKG. QTY.	DIN	NS	US
12	12	18	10028		25/70	50		X	
12	12	>10	10129	2	25/70	50	X		
12	18	25	10029		25/70	50		X	
12	30	25	10065	2	25/70	50	X		
24	12	>10	10130	2	25/70	50	X		
24	18	25	10036		25/70	50		X	
24	24	25	10037	2	25/70	50			X
24	30	25	10066	2	25/70	50	X		

B22d

VOLT	CANDELA	WATT	SM-NO.	FIG	Ø/L MM	PKG. QTY.	DIN	NS	US
24	35	55	10041		38/110	50		X	
230	35	55	10055	3	38/110	50		X	
230	65	85	10057	4	45/130	50		X	

P28s

VOLT	CANDELA	WATT	SM-NO.	FIG	Ø/L MM	PKG. QTY.	DIN	NS	US
24	50	40	10043	5	38/108	50	X		
115	50	60	10067	6	38/108	50	X		
230	65	85	10143		45/130	50			
230	50	65	10056	6	38/108	50	X		



What's right or wrong?



It is **RIGHT** that SM Navigation is a world famous trademark. Our products are handmade incandescent lamps of the highest quality. Each lamp is tested manually before it is set out to sea.

It is **RIGHT** that the navigation lamp is a vital part of a ship's security system, where lifetime and reliability are important.



It is **RIGHT** that all SM Navigation lamps are approved according to international standards: DIN 49 841, NS 2785 and UL 1104.

It is **RIGHT** that our lamps cost a little more than some others, but their long lifespan makes them more cost effective in the long run.

Probably, it is **WRONG** not to choose SM Navigaton lamps.



danlamp[®]

Since 1931 in Denmark we have developed, produced and marketed incandescent lamps to far-reaching places, to customers who demand quality and accuracy in the use of artificial light. Our aim is to maintain and develop the special and individual incandescent lamps which our company has come to be known for.