

LED WALL LIGHT

IP56 Type MMFGLM30

Application: Engine rooms, Low visibility areas, Decks, Bilges
Ideal replacement : incandescent bulb 300W /fluorescent lamps up to 40W

Housing:

PBT fiberglass reinforced body,

Heat sink:

Marine grade aluminium with powder coating

Diffuser and Guard :

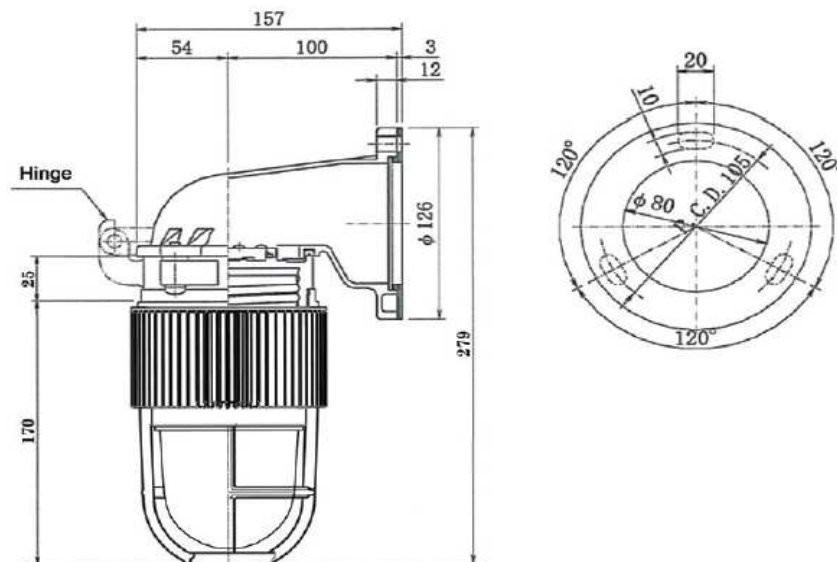
Opal polycarbonate

Weight: 1.5 Kg



Featuring

- * complete integrated solution (housing -LED module- diffuser)
- * Long service life of 30,000 hours @ 45°C (Ta)
- * Compact and lightweight design
- * Vibration resistant
- * Safety, EMC and IEC compliance



Technical specifications

order n°	V / Hz	Power	CCT	Beam angle	T.a.	Lumen
MMFGLM30	100-240V AC/DC	30W	5000°K	180°	-40 / +45°C	2900 lm

special executions on demand : contact our Customer Service