

LED WALL LIGHT

IP56 Type MMBGLS30

Application: Engine rooms, Low visibility areas, Decks, Bilges
Ideal replacement : incandescent bulb 300W

Housing:

PBT fiberglass reinforced body

Heat sink:

Marine grade aluminium with powder coating

Diffuser and Guard :

Opal polycarbonate

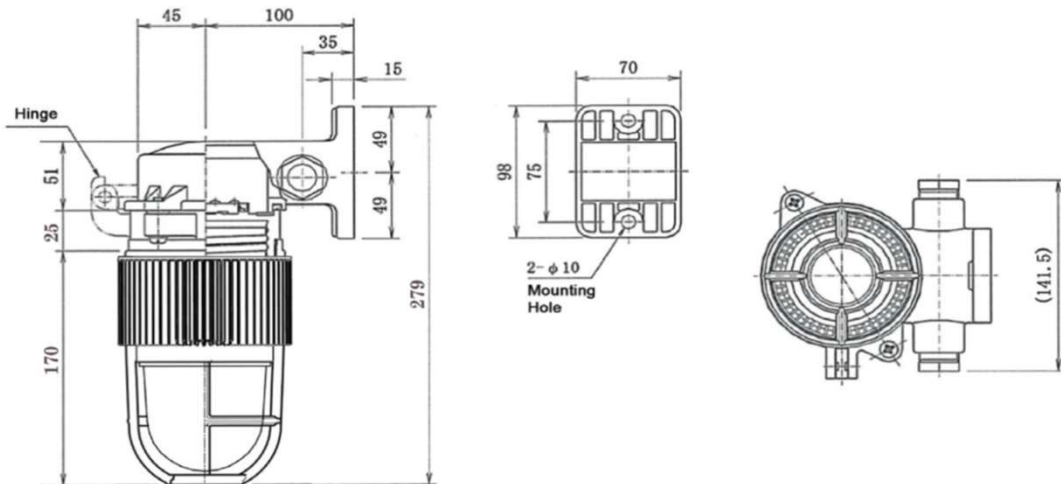
Weight:

1.5 Kg



Featuring

- * complete integrated solution (housing - LED module - diffuser)
- * Long service life of 30,000 hours @ 45°C (Ta)
- * Compact and lightweight design
- * Vibration resistant
- * Safety, EMC and IEC compliance



Technical specifications

order n°	V / Hz	Power	CCT	Beam angle	T.a.	Lumen
MMBGLS30	100-240V AC/DC	30W	5000°K	180°	-40 / +45°C	2900 lm

Special executions on demand : contact our Customer Service