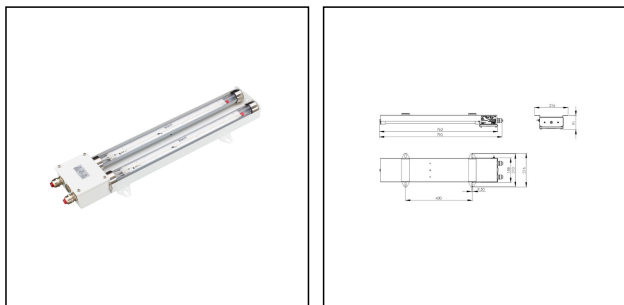


4201-2x13-110-2AA

LED Ex multi-purpose luminaire 4201 stainless steel 2x13W 110V IP66/68



Products may differ in size, colour and appearance to those shown. If you require further information or customisation, please contact us directly.



WISKA-Order no.	10112837
Type	4201-2x13-110-2AA
Material	Stainless steel
Material globe/diffuser	Polycarbonate
Globe colour	Clear
Wattage	26 W
Power[^]	2 x 13 W
Voltage	110 V
Type of Voltage	AC
Frequence	50/60 Hz
Protection class	IP66 / IP68
Operational areas	Explosion protection, Outdoor
Temp. range min	-30 °C
Temp. range max	55 °C
Lightsource	LED
Lightsource incl.	Yes
Colour temperature	5600 K
Luminous flux	2800 lm
Rated Lifetime	L70/B50 @Ta +35 °C
System Lifetime	100000 h
Colour rendering index	CRI>80
Material cable gland	Brass nickel-plated
Mounting	Ceiling, Wall, Surface mounting
Approval	IECEX EPS 19.0109 X, EPS 19 ATEX 1 076 X
Zone	1

Product Data Sheet

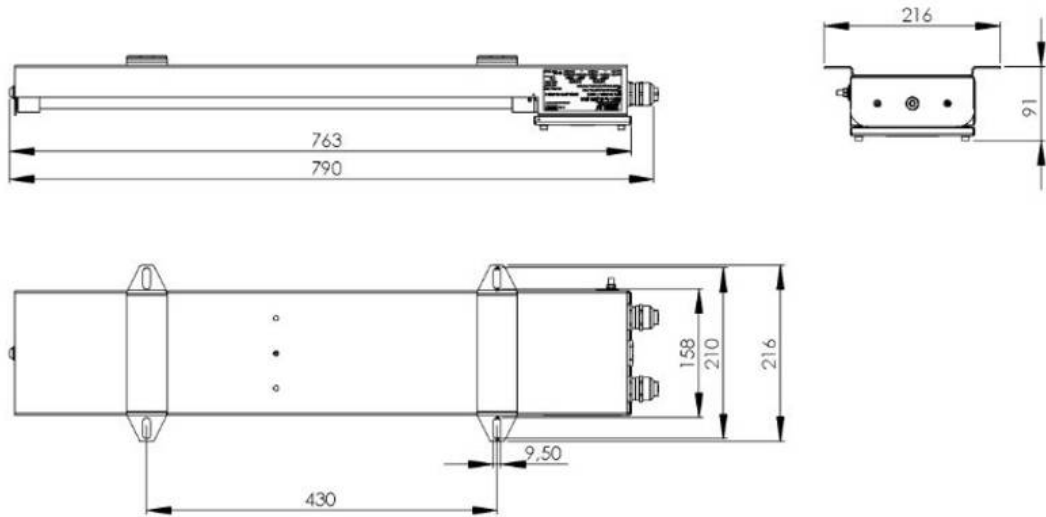
Equipment	Through wiring
Product Color	RAL 9016
Surface	Powder coated
Weight	5 kg

Remarks:

LED Ex multi-purpose luminaire, IP66/68
Ex db eb IIC T5...T6 Gb,
Ex tb IIIC T100°C ...T85°C Db
Certificates: IECEx EPS 19.0109X
EPS 19 ATEX 1 076 X
110/115V, 50/60Hz
2x13W LED, 5600K
housing made of stainless steel
tube made of polycarbonate, clear
Luminous flux 2000lm
2 cable glands mounted on terminal box
EMSKE-L 25 EMV-Z brass, nickel-plated
for cable 10-17mm in diameter
4x3-pole spring terminal 4mm²
mounting via 2 mounting brackets

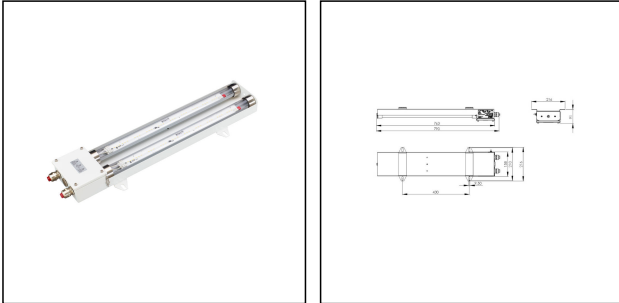
09.09.2024

Product Data Sheet



4201-2x13-230-2AA-LE

LED Ex multi-purpose luminaire 4201 stainless steel 2x13W 230V IP66/68



Products may differ in size, colour and appearance to those shown. If you require further information or customisation, please contact us directly.



WISKA-Order no.	10112613
Type	4201-2x13-230-2AA-LE
Material	Stainless steel
Material globe/diffuser	Polycarbonate
Globe colour	Clear
Wattage	26 W
Power[^]	2 x 13 W
Voltage	230 V
Type of Voltage	AC
Frequence	50/60 Hz
Protection class	IP66 / IP68
Operational areas	Explosion protection, Outdoor
Temp. range min	-30 °C
Temp. range max	55 °C
Lightsource	LED
Lightsource incl.	Yes
Colour temperature	5600 K
Luminous flux	2800 lm
Rated Lifetime	L70/B50 @Ta +35 °C
System Lifetime	100000 h
Colour rendering index	CRI>80
Material cable gland	Brass nickel-plated
Mounting	Ceiling, Wall, Surface mounting
Approval	IECEX EPS 19.0109 X, EPS 19 ATEX 1 076 X
Zone	1

Product Data Sheet

Equipment	Through wiring
Product Color	RAL 9016
Surface	Powder coated
Weight	5 kg

Remarks:

LED Ex multi-purpose luminaire, IP66/68

Ex db eb IIC T5...T6 Gb,

Ex tb IIIC T100°C ...T85°C Db

Certificates: IECEx EPS 19.0109X

EPS 19 ATEX 1 076 X

220/230V, 50/60Hz

2x13W LED, 5600K

LED strip Ledvance

housing made of stainless steel

tube made of polycarbonate, clear

Luminous flux 2000lm

2 cable glands mounted on terminal box

EMSKE-L 25 EMV-Z brass, nickel-plated

for cable 10-17mm in diameter

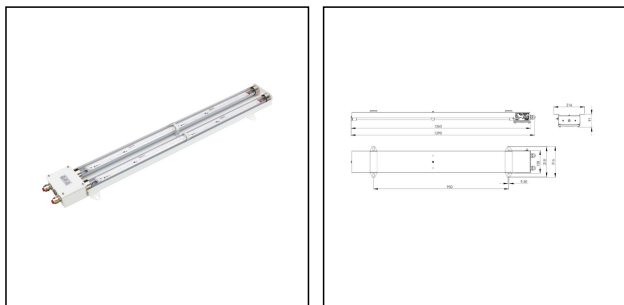
4x3-pole spring terminal 4mm²

mounting via 2 mounting brackets

09.09.2024

4201-2x26-230-2AA-LE

LED Ex multi-purpose luminaire 4201 stainless steel 2x26W 230V IP66/68



Products may differ in size, colour and appearance to those shown. If you require further information or customisation, please contact us directly.



WISKA-Order no.	10112614
Type	4201-2x26-230-2AA-LE
Material	Stainless steel
Material globe/diffuser	Polycarbonate
Globe colour	Clear
Wattage	52 W
Power[^]	2 x 26 W
Voltage	230 V
Type of Voltage	AC
Frequence	50/60 Hz
Protection class	IP66 / IP68
Operational areas	Explosion protection, Outdoor
Temp. range min	-30 °C
Temp. range max	55 °C
Lightsource	LED
Lightsource incl.	Yes
Colour temperature	5600 K
Luminous flux	5600 lm
Rated Lifetime	L70/B50 @Ta +35 °C
System Lifetime	100000 h
Colour rendering index	CRI>80
Material cable gland	Brass nickel-plated
Mounting	Ceiling, Wall, Surface mounting
Approval	IECEX EPS 19.0109 X, EPS 19 ATEX 1 076 X
Zone	1

Product Data Sheet

Equipment	Through wiring
Product Color	RAL 9016
Surface	Powder coated
Weight	6,9 kg

Remarks:

LED Ex multi-purpose luminaire, IP66/68

Ex db eb IIB+H2 T5...T6 Gb,

Ex tb IIIC T100°C ...T85°C Db

Certificates: IECEx EPS 19.0109X

EPS 19 ATEX 1 076 X

220/230V, 50/60Hz

2x26W LED, 5600K

LED strip Ledvance

housing made of stainless steel

tube made of polycarbonate, clear

Luminous flux 4000lm

2 cable glands mounted on terminal box

EMSKE-L 25 EMV-Z brass, nickel-plated

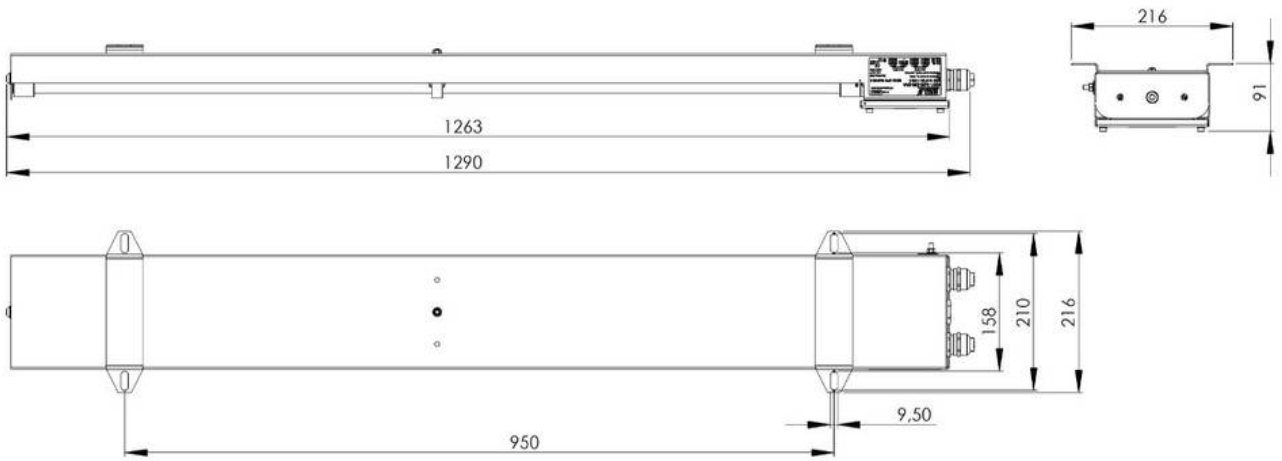
for cable 10-17mm in diameter

4x3-pole spring terminal 4mm²

mounting via 2 mounting brackets

09.09.2024

Product Data Sheet



Product Data Sheet

