

EX-PROOF LED PENDANT LIGHT

SXPL Series



TECHNICAL INFORMATION

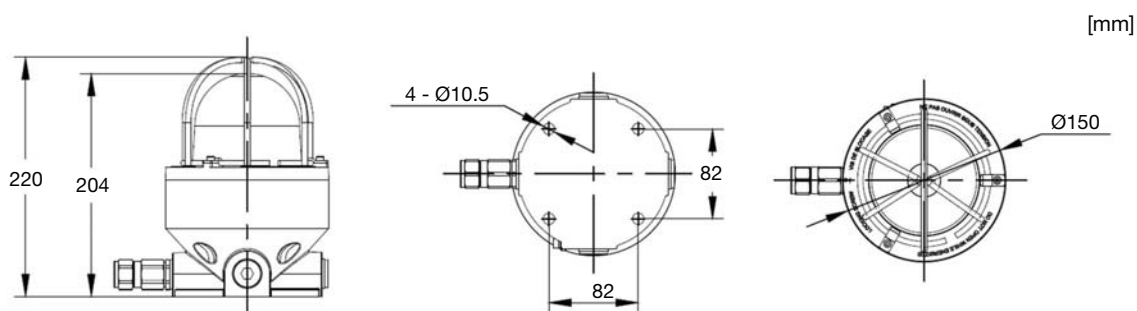
Certification	ATEX and IECEx approvals certified by CSA and Sira for Zones 1/2 & 21/22 applications Ex db op is IIC T6 Gb and Ex tb op is IIIC T85°C Db IP66 Ingress Protection
Housing	Marine grade seawater resistant aluminium alloy body with anti-corrosion powder coating Borosilicate glass diffuser Stainless steel protection guard and external fasteners RAL5002 Ultramarine blue colour
Electric	AC100V, AC240V or DC24V options Power factor >0.97
Lifespan	Long LED service life of 50,000 hours
Connection	4x M20 cable entries Supplied with 1x M20 Ex de cable gland for 11.5mm to 16mm diameter cables with steel wire, aluminium, braided and tape armour, and 3x Ex de stopper plugs Option for additional cable glands or glands for non-armoured cable
Beam Angle	160°
EMC	IEC 60533 electromagnetic compatibility to all maritime vessels and offshore MDUs

CERTIFICATIONS

ATEX Directive (2014/34/EU)
CSANe 21ATEX1065X
IECEx SIR 21.0015X

Ex II 2 GD
Ex db op is IIC T6 Gb
Ex tb op is IIIC T85°C Db

MEASUREMENTS



ORDER CODES

Ideal Replacement:



Item Code	Type	Main Voltage	Power	CCT	Ambient Temp (Ta)	System Lumen
CLSXPL13A2	SXPL13A2	220V - 240V AC	13W	5000K	-25°C ~ +50°C	900lm
CLSXPL12A1	SXPL12A1	100V - 120V AC	12W	5000K	-25°C ~ +50°C	900lm
CLSXPL10D	SXPL10D	24V DC	10W	5000K	-25°C ~ +50°C	900lm