

CHART TABLE LIGHT

T114



CHART TABLE LIGHT WITH FLEXIBLE ARM AND SWITCH IN BASE

Design	According to rules of maritime classification societies and relevant standards
Housing	Metal / plastics, black
Switch	In base
Flex arm	500 mm
Mounting	Base mounting, 4 mounting holes \varnothing 4.5 mm
Connection type	Connection cable with plug
Protection class	IP20
Weight	1.4 kg
Light source	MR16 LED
Lamp base	GU5.3
Wattage	Max. 3 W
CCT (color)	5,500 K
Voltage	230 V AC
Frequency	50–60 Hz

PART NO.

T114 5135007400-000

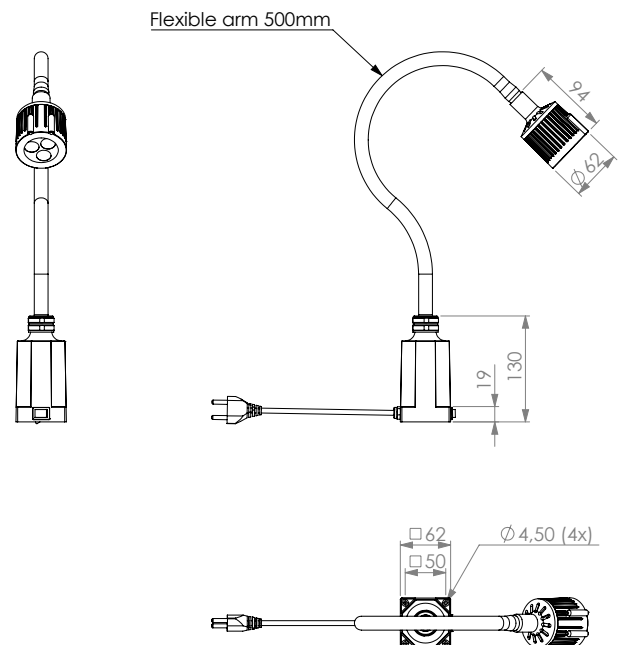
SPARE PARTS

PART NO.

Transformer 120 V / 12 V 7103009500
Transformer 230 V / 12 V 7103014600

EXTRAS

- > 24 V execution
- > Switch in pedestal
- > Jointed lamp head
- > IP65
- > Different arm lengths (250 mm / 700 mm)



DEALER : MAC MARINE s.r.l.
Ponte Colombo
16126 Genova Porto - Italy
Tel. +39 010 2465300 Fax +39 010 8690338
P.IVA / VAT Nr. IT 02324760996
Email: info@marinecomponents.it