

## MARINE LED FLOODLIGHT IP66/ IP67 Type MMFL490

**Application:** Decks, Marinas, Docks, Ports, Warehouses  
**Ideal replacement :** HPS 2x400W

### Housing:

Marine grade aluminium alloy with powder coating

### Front cover:

Tempered glass, thickness 4mm

### Bracket:

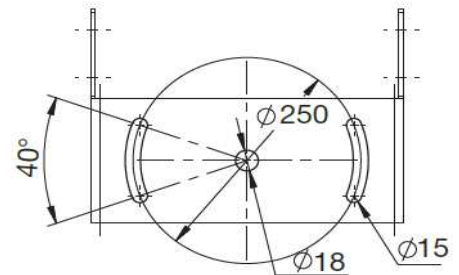
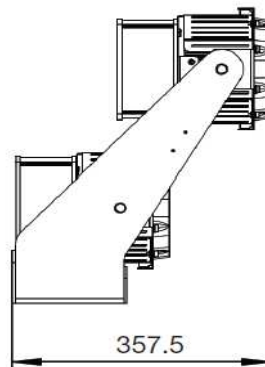
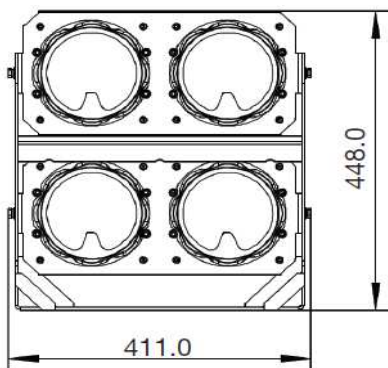
Stainless steel , adjustable

**Weight:** 17Kg



### Features

- \* Rapid heat-dispersing design to prolong lamp life and optimise lumen output
- \* Long service life of 50.000 L70@ 50°C (Ta)
- \* Compact and lightweight design
- \* Safety, EMC and IEC compliance



(mm)

### Technical specifications

order n°	V / Hz	Power	CCT	Beam angle	T.a.	Lumen
<b>MMFL490-N-5</b>	110-230V/50-60	360W	5000°K	17°	-40 / +50°C	45600lm
<b>MMFL490-M-5</b>	110-230V/50-60	360W	5000°K	45°	-40 / +50°C	43200 lm
<b>MMFL490-W-5</b>	110-230V/50-60	360W	5000°K	105°	-40 / +50°C	46800 lm

special executions on demand : contact our Customer Service