

## MARINE LED FLOODLIGHT IP66/ IP67 Type MMFL190

**Application:** Decks, Marinas, Docks, Ports, Warehouses  
**Ideal replacement :** Halogen 1000W / HPS 150W / MH250W

### Housing:

Marine grade aluminium alloy with powder coating

### Front cover:

Tempered glass, thickness 4mm

Front Guard St/St AISI 316 ( optional)

### Bracket:

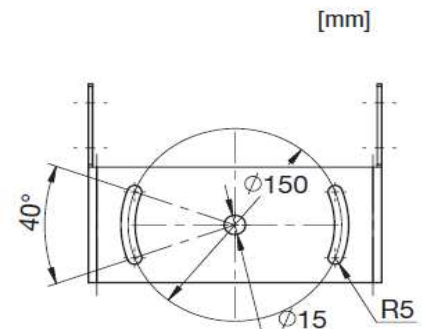
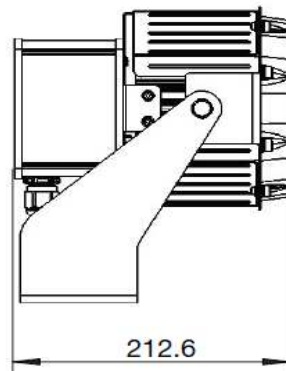
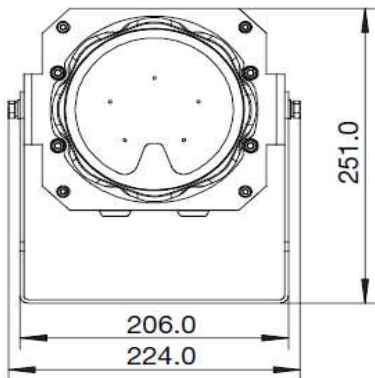
Stainless steel , adjustable

**Weight:** 4,5Kg



### Features

- \* Rapid heat-dissensing design to prolong lamp life and optimise lumen output
- \* Long service life of 50.000 L70@ 50°C (Ta)
- \* Compact and lightweight design
- \* Safety, EMC and IEC compliance



### Technical specifications

order n°	V / Hz	Power	CCT	Beam angle	T.a.	Lumen
<b>MMFL190-N-5</b>	110-230V/50-60	90W	5000°K	17°	-40 / +50°C	11400lm
<b>MMFL190-M-5</b>	110-230V/50-60	90W	5000°K	45°	-40 / +50°C	10800 lm
<b>MMFL190-W-5</b>	110-230V/50-60	90W	5000°K	105°	-40 / +50°C	11700 lm

special executions on demand : contact our Customer Service