



LED DOWNLIGHT WITH CHANGEABLE COVER RING,
FOR CABINS, ACCOMMODATION AND PUBLIC AREAS

Design	According to rules of maritime classification societies and relevant standards
Housing	Galvanized steel, powder coated white (RAL9016)
Decorative ring	RAL9016, chrome or steel brushed (has to be ordered separately, see next page)
Mounting	Max. 6 mounting holes, Ø 4.5 mm
Connection type	Connection cable with Wago 3-pole plug
Protection class	IP20 / IP44 with lens
Weight	DL63S: 0.9 kg DL63M: 1.1 kg DL63L: 1.2 kg
Light source	LED module
Wattage	DL63S: max. 5 W DL63M: max. 10 W DL63L: max. 20 W
CCT (color)	3,000 K
Luminous flux	DL63S: 500 lm (with satined glass) DL63M: 1,000 lm (with satined glass) DL63L: 2,000 lm (with satined glass)
CRI	≥ 80
Voltage	220–240 V AC
Frequency	50–60 Hz

PART NO.

DL63S	5503002500-xxx
DL63M	5503002600-xxx
DL63L	5503002700-xxx

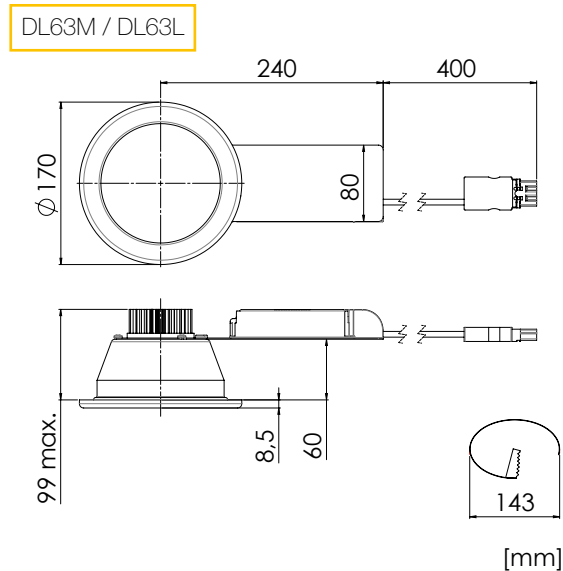
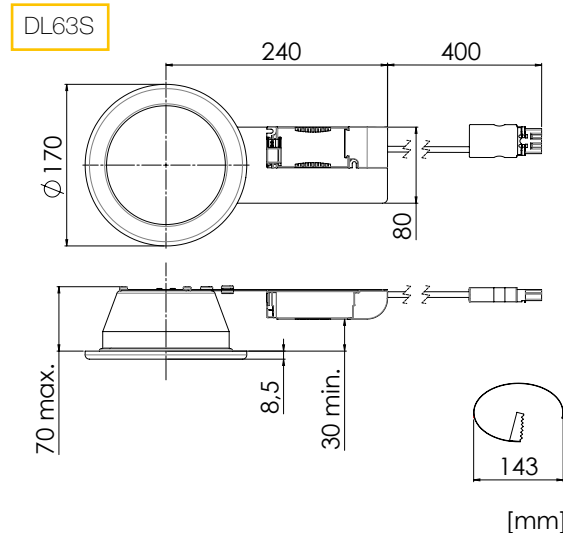
SPARE PARTS

PART NO.

Female connector Wago	7124001800
-----------------------	------------

EXTRAS

- > 120 V AC execution
- > Different connectors
- > Different color temperatures
- > Dimmable
- > Emergency battery back-up

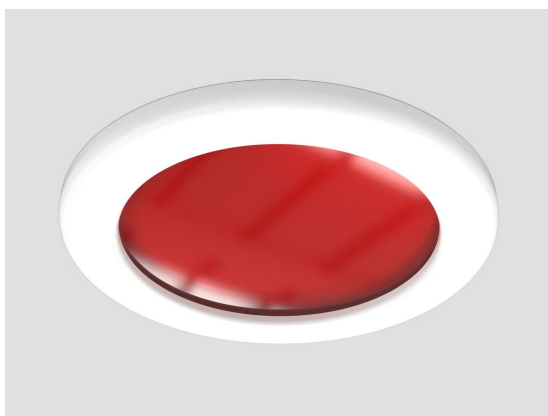




Ring A2, 5543000200-005
Steel / RAL9016 / Satin lens



Ring A2, 5543000200-003
Chrome / Satin lens



Ring A2, 5543000200-072
Steel / RAL9016 / Clear lens RED



Ring A2, 5543000200-053
Chrome / Clear lens RED



Ring A2, 5543000200-015
Steel brushed / Satin lens

Different finishes on request