



RECESSED MOUNTED CEILING LUMINAIRE FOR CABINS, DINING ROOMS AND ACCOMMODATION AREAS

<b>Design</b>	According to rules of maritime classification societies and relevant standards
<b>Housing</b>	Galvanized steel, powder coated white (RAL9016)
<b>Trim ring</b>	Steel, powder coated white (RAL9016)
<b>Diffuser</b>	Opal polycarbonate, impact-proof
<b>Mounting</b>	8 mounting holes, Ø 4 mm
<b>Cable entry</b>	1 inlet for cables max. Ø 13 mm
<b>Protection class</b>	IP20 / IP44 in conjunction with ceiling
<b>Weight</b>	0.9 kg
<b>Light source</b>	LED (lamp not included)
<b>Lamp base</b>	E27
<b>Wattage</b>	1× max. 60 W
<b>Voltage</b>	110/240 V AC or 24 V DC
<b>Frequency</b>	50–60 Hz or 0 Hz

PART NO.

DE02 5111001600-001

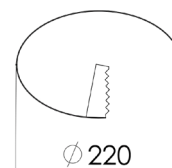
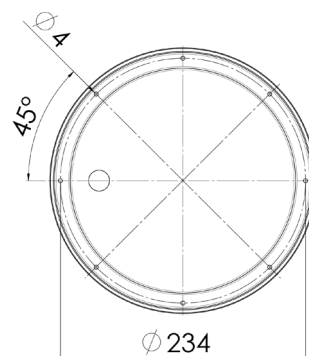
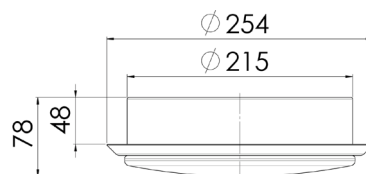
SPARE PARTS

PART NO.

Trim ring RAL9016 7512000400  
Diffuser 7112007500

EXTRAS

- > B0-execution
- > Different cable entries
- > Different wattages



[mm]