

CEILING LED LUMINAIRE, SURFACE MOUNTING FOR PASSAGE WAYS, CABINS, LOUNGES, ACCOMMODATION AREAS

<b>Design</b>	According to rules of maritime classification societies, additional VDE and IEC
<b>Housing</b>	Galvanized steel, powder coated white (RAL9016)
<b>Diffuser</b>	Opal polycarbonate
<b>Mounting</b>	Mounting holes 4 x Ø 6 mm
<b>Cable entry</b>	30 x 16 mm or 2 x grommets
<b>Protection class</b>	IP20 or IP44
<b>Weight</b>	2.0 kg
<b>Wattage</b>	Max. 16 W
<b>CCT (color)</b>	3,000 K
<b>Luminous flux</b>	1,800 lm
<b>CRI</b>	≥ 80
<b>Voltage</b>	220–240 V AC
<b>Frequency</b>	50–60 Hz

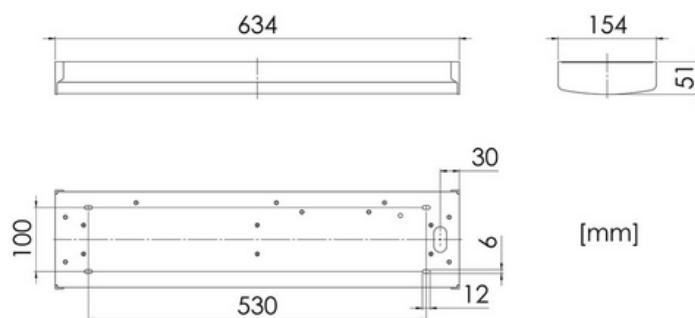
#### PART NO.

DA Flex S IP20	5112008800-005
DA Flex S IP44	5112010600-001

#### EXTRAS

- > Motion sensor
- > 120 V AC execution
- > 24 V DC execution
- > Dimmable
- > Different color temperatures

IP20



IP44

