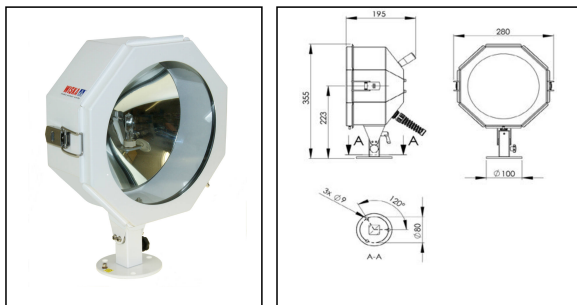


## SW200A-200-X(24)-P17

Searchlight for halogen lamps 250W/24V - aluminium reflector



Product illustrations are exemplary and may differ from the chosen product. Further variants and individual customization, we will gladly provide you on request.



<b>WISKA-Order no.</b>	10102271
<b>Type</b>	SW200A-200-X(24)-P17
<b>Material</b>	Stainless steel
<b>Colour</b>	RAL 9016
<b>Surface</b>	Powder coated
<b>Wattage</b>	250 W
<b>Voltage max. (V)</b>	24 V
<b>Type of Voltage</b>	AC / DC
<b>Protection class</b>	IP56
<b>Operational areas</b>	Outdoor
<b>Reflector</b>	Aluminium
<b>Focusing</b>	fixed focus
<b>Lamp</b>	Halogen lamp
<b>Lamp</b>	not included
<b>Light performance</b>	immediately
<b>Range (1 lux)</b>	775 m
<b>Light intensity mio/cd</b>	0,6
<b>Divergence</b>	7°/10
<b>Lampholder</b>	G6,35
<b>Number of lampholder</b>	1 ST
<b>Temp. range min</b>	-25 °C
<b>Temp. range max</b>	45 °C
<b>Type of cable gland</b>	ESVGS 20
<b>Material cable gland</b>	Polyamide
<b>Type of cable</b>	non-armoured

# Product Data Sheet

<b>Power cable</b>	H07RN-F 3x1,5mm <sup>2</sup>
<b>Ø cable diameter min</b>	6 mm
<b>Ø cable diameter max</b>	13 mm
<b>Globe colour</b>	Clear
<b>External dimensions LxWxH</b>	280 x 195 x 355
<b>Mounting</b>	Upside

Remarks:

SW200: Searchlight for halogen lamp 24V, IP56, aluminium parabolic mirror 200mm

250W

Voltage: 24V

P17: deck D200V, stainless steel

Equipment:

- Toughened front glass
- Rubber sealing
- Quick fastening devices
- Connection cable 3m
- This device is built at least according to requirements of ABS, BV, DNV, GL, LR, PRS

Spare parts

<b>SP-SW-Halogen lamp 250W 24V G6,35</b>	22000094
<b>SP-SW200 Front frame + Front glass S200</b>	22000097
<b>SP-1995 Lampholder G 6,35</b>	22000100
<b>SP-S-Quick releases clamp 2 pieces</b>	22000103
<b>SP-SW200A Reflector unit 250W</b>	22000113
<b>SP-SW-Gasket for searchlight housing</b>	22000116
<b>SP-SW200 Deck, cpl. D 200</b>	22000119

04.03.2017

