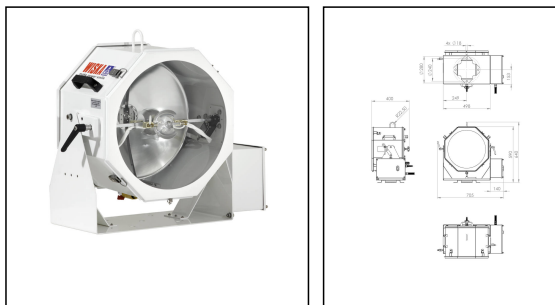


SKS 575

Suez Canal searchlight



Product illustrations are exemplary and may differ from the chosen product. Further variants and individual customization, we will gladly provide you on request.



WISKA-Order no.	10101147
Type	SKS 575
Material	Stainless steel 1.4301 (V2A)
Colour	RAL 9016
Surface	Powder coated
Wattage	575 W
Voltage	230 V
Type of Voltage	AC
Protection class	IP68 (0.2bar (op), 30min), IP56
Reflector	Aluminium, splitted mirror, auxiliary mirror
Lamp	Metal halide lamp
Lamp	included
Lamp shape	rod shaped
Colour temperature	6000 K
Luminous flux	49000 lm
Average lamp durability	1000 h
Light performance	Maximum light after 45 sec.
Light intensity mio/cd	4
Lampholder	SFc10-4
Number of lampholder	2 ST
Temp. range min	-25 °C
Temp. range max	45 °C
Power supply, standard	PSUH: HMI, 575W, 230VAC
Power cable	H07RN-F 3x1,5mm ²
Material globe/diffuser	Glass

Product Data Sheet

Globe colour	Clear
External dimensions LxWxH	400x705x637mm
Approval	GL
Mounting	Upside
Weight	40 kg

Remarks:

Protection class IP68 2,5bar 20min. only for searchlight head

Protection class IP 56 for ballast unit

Equipment:

- Toughened front glass
- Rubber sealing
- 2x lamp/lamp change mechanism
- Quick fastening devices
- Ignition
- Ballast
- Connection cable 5m
- Anti dazzle screen
- with swivel base
- This device is built at least according to requirements of ABS, BV, DNV, GL, LR, PRS

Spare parts

SP-SW/SH/SKS-400 front frame+front glass	22000038
SP-S-Quick releases clamp 4 pieces	22000050
SP-SKS-Reflector unit D400 two-part	22000105
SP-SKS-Auxiliary mirror LSH 400/450	22000106
SP-SH/SKS-Metal halide discharge lamp	22000107
SP-SH/SKS-Igniter type IG 575 KVG	22000108
SP-SH/SKS-Lamp holder SFc10-4 for 575W	22000109
SP-SH/SKS-Series impedance for 575W	22000110
SP-SKS Cover	22000473
SP-SKS Swivel base	22000474
SP-SKS 575 mounting bracket	22000643

Product Data Sheet

