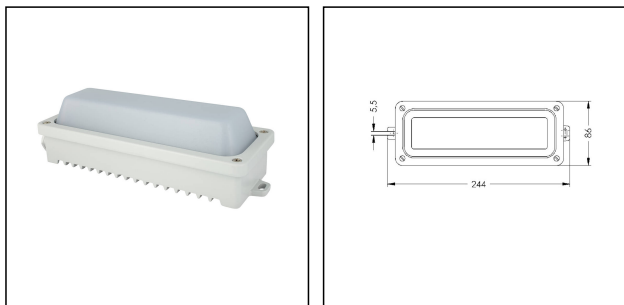



## PL-Luminaire LED 6,3W 4307156

LED Multi-purpose luminaire 6,3W 230V, Aluminium RAL 7035, Cover opal, IP67



Products may differ in size, colour and appearance to those shown. If you require further information or customisation, please contact us directly.



<b>WISKA-Order no.</b>	50105202
<b>Type</b>	PL-Luminaire LED 6,3W 4307156
<b>Material</b>	Cast aluminium
<b>Material globe/diffuser</b>	Polycarbonate
<b>Globe colour</b>	Opal
<b>Wattage</b>	6 W
<b>Voltage</b>	230 V
<b>Voltage min. (V)</b>	220 V
<b>Voltage max. (V)</b>	240 V
<b>Type of Voltage</b>	AC
<b>Frequency</b>	50/60 Hz
<b>Temp. range min</b>	-25 °C
<b>Temp. range max</b>	45 °C
<b>Lightsource</b>	LED
<b>Lightsource incl.</b>	Yes
<b>Luminous flux</b>	493 lm
<b>Power supply, electronic</b>	50-60Hz, 220-230VAC
<b>Type of cable gland</b>	PG16 / 12-14mm
<b>Ø cable diameter min</b>	12 mm
<b>Ø cable diameter max</b>	14 mm
<b>Using for cable gland</b>	
<b>Equipment</b>	Aluminium pressure screws PG16
<b>Mounting</b>	Surface mounting, Wall, Ceiling
<b>Colour</b>	RAL 7035
<b>External dimensions LxWxH</b>	244x86x69mm

<b>Weight</b>	0,74 kg
<b>Surface</b>	Powder coated
<b>Approval</b>	SGS
<b>Tariff number</b>	94054990

Remarks:

- with inbuilt LED module
- luminous flux: 493 lm
- 2 aluminium cable gland seals PG16 O=

**Spare parts**

<b>SP-H042002 Lamp cover opal</b>	22000537
<b>H542150 Sealing PL-Luminaires - SE</b>	50045626

25.07.2024

