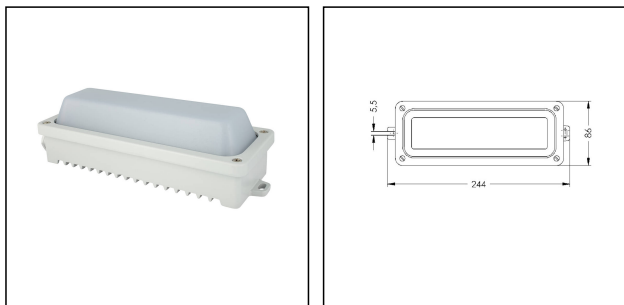



PL-Luminaire LED 3,1W 4307153

LED Multi-purpose luminaire 3,1W 230V, Aluminium RAL 7035, Cover opal, IP67



Products may differ in size, colour and appearance to those shown. If you require further information or customisation, please contact us directly.



WISKA-Order no.	50105201
Type	PL-Luminaire LED 3,1W 4307153
Material	Cast aluminium
Material globe/diffuser	Polycarbonate
Globe colour	Opal
Wattage	3 W
Voltage	230 V
Voltage min. (V)	220 V
Voltage max. (V)	240 V
Type of Voltage	AC
Frequency	50/60 Hz
Temp. range min	-25 °C
Temp. range max	45 °C
Lightsource	LED
Lightsource incl.	Yes
Luminous flux	229 lm
Power supply, electronic	50-60Hz, 220-230VAC
Type of cable gland	PG16 / 12-14mm
Ø cable diameter min	12 mm
Ø cable diameter max	14 mm
Using for cable gland	
Equipment	Aluminium pressure screws PG16
Mounting	Surface mounting, Ceiling, Wall
Colour	RAL 7035
External dimensions LxWxH	244x86x69mm

Weight	0,74 kg
Surface	Powder coated
Approval	SGS
Tariff number	94054990

Remarks:

- with inbuilt LED module
- luminous flux 229 lm
- 2 aluminium cable gland seals PG16 O=

Spare parts

SP-H042002 Lamp cover opal	22000537
H542150 Sealing PL-Luminaires - SE	50045626

25.07.2024

