

PART NO.

TL53L 5105011800-002

SPARE PARTS

PART NO.

Clear tube TL53L 7112038200
 Fixing clamp 7501000401

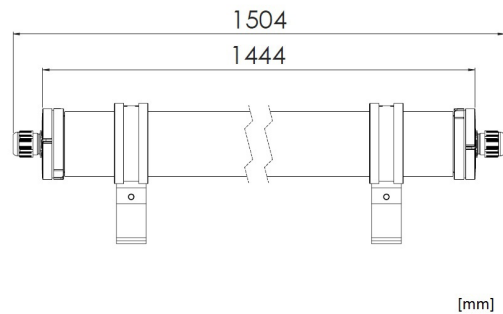
EXTRAS

- > 24 V DC execution
- > 120 V AC execution
- > Different lengths



PRESSURE WATERTIGHT LUMINAIRE FOR OPEN DECKS AND DECK RAILS, ABLE TO RESIST HEAVY SEAS

Design	According to rules of maritime classification societies and relevant standards
Housing/cover	Clear polycarbonate, impact-proof, UV-resistant
Mounting	2 stainless steel fixing clamps (not included)
Cable entry	2 cable glands M20, PA 6
Protection class	IP68
Weight	2.2 kg
Light source	Linear LP LED module
Wattage	Max. 18 W
CCT (color)	4,000 K
Luminous flux	2,400 lm
CRI	≥ 80
Voltage	220–240 V AC
Frequency	50–60 Hz



fixing clamp

