

PART NO.

TL Vario M

5145000500-xxx

★ EXTRAS

- > Battery backup unit
- > Customized mounting brackets
- > Shock proof execution
- > Additional red or green light
- > Through wiring
- > Different cable glands
- > Different supply voltages



MULTIPURPOSE WATERTIGHT LUMINAIRE FOR ENGINE ROOMS, WORK SHOPS, STORES, PASSAGE WAYS AND OUTDOOR AREAS

Design According to rules of maritime classification societies and relevant standards

Housing/cover Opal polycarbonate, impact-proof, UV-resistant

Mounting Different systems available, see next page

Cable entry Max. 4 cable glands M20, max. 2 cable glands M25

Protection class IP66/67

Weight 1.9 kg

Light source Linear LP LED modules

Wattage Max. 20 W

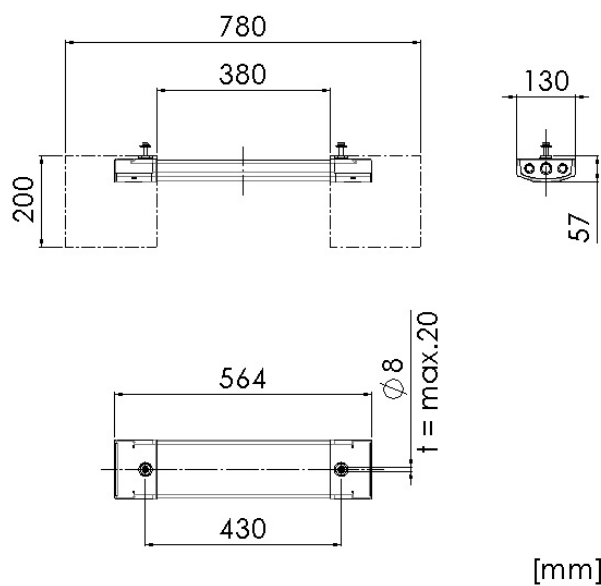
CCT (color) 4,000 K or 3,000 K

Luminous flux 2,200 lm

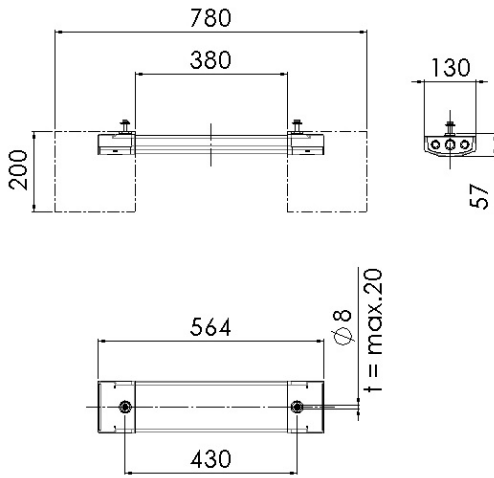
CRI ≥ 80

Voltage 220–240 V AC

Frequency 50–60 Hz



Type: Bolt kit 8 mm

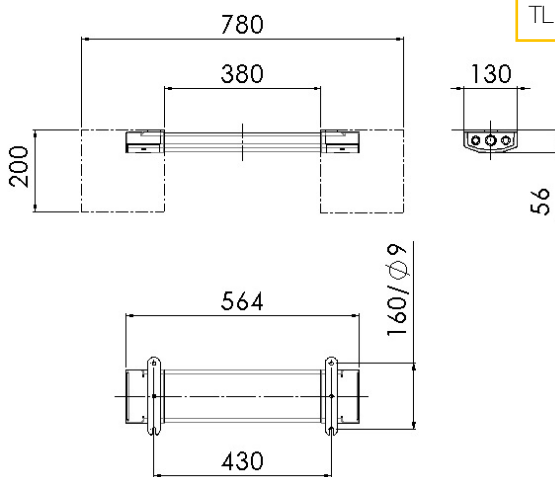


TL Vario M

Type: Bolt kit 8 mm



Type: LP160

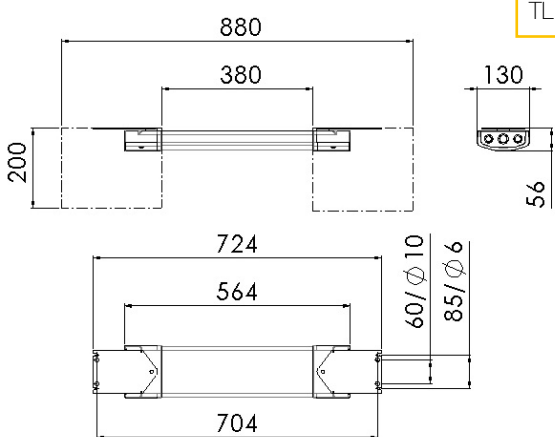


TL Vario M

Type: LP160



Type: LP GL



TL Vario M

Type: LP200



Type: LP GL

