



MULTIPURPOSE WATERTIGHT LUMINAIRE FOR ENGINE ROOMS, WORK SHOPS, STORES, PASSAGE WAYS AND OUTDOOR AREAS

Design According to rules of maritime classification societies and relevant standards

Housing/cover Opal polycarbonate, impact-proof, UV-resistant

Mounting Different systems available, see next page

Cable entry Max. 4 cable glands M20, max. 2 cable glands M25

Protection class IP66/67

Weight 2.8 kg

Light source Linear LP LED modules

Wattage Max. 40 W

CCT (color) 4,000 K or 3,000 K

Luminous flux 4,500 lm

CRI ≥ 80

Voltage 220–240 V AC

Frequency 50–60 Hz

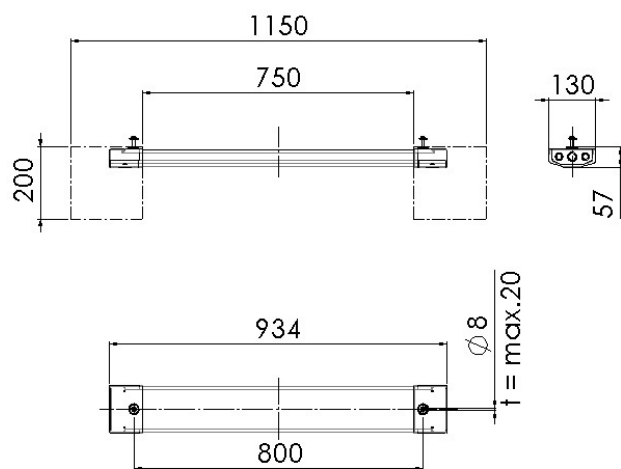
PART NO.

TL Vario L

5145000600-xxx

EXTRAS

- > Battery backup unit
- > Customized mounting brackets
- > Shock proof execution
- > Additional red or green light
- > Through wiring
- > Different cable glands
- > Different supply voltages

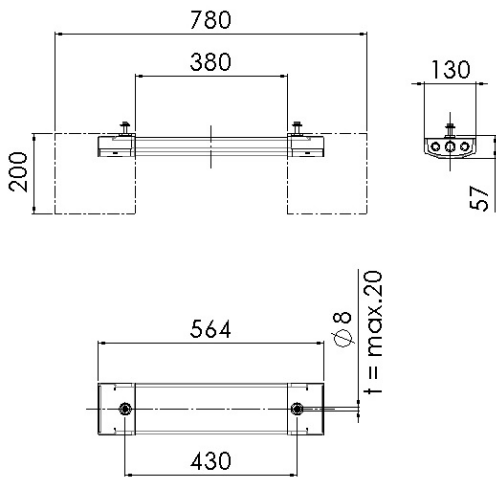


[mm]



DEALER : MAC MARINE s.r.l.
 Ponte Colombo
 16126 Genova Porto - Italy
 Tel. +39 010 2465300 Fax +39 010 8690338
 P.IVA / VAT Nr. IT 02324760996
 Email: info@marinecomponents.it

Type: Bolt kit 8 mm

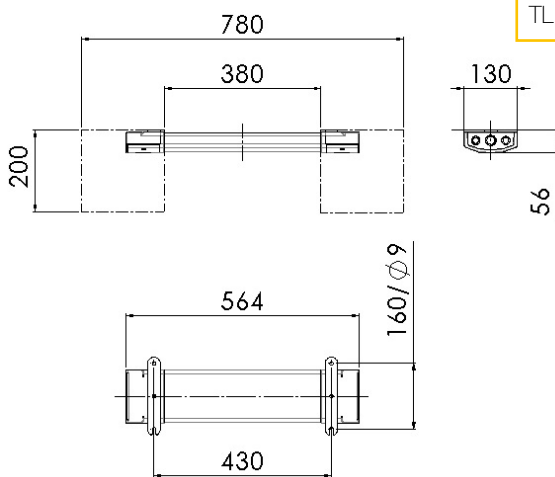


TL Vario M

Type: Bolt kit 8 mm



Type: LP160

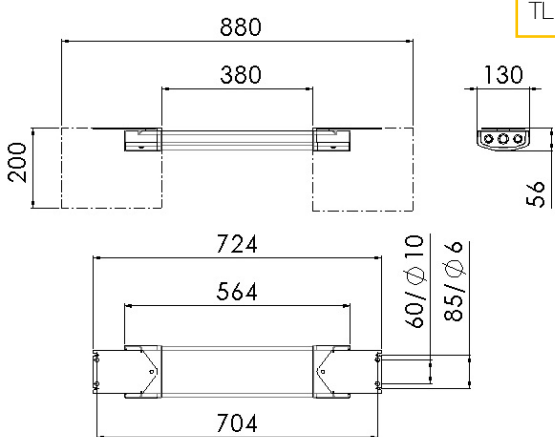


TL Vario M

Type: LP160



Type: LP GL



TL Vario M

Type: LP200



Type: LP GL

