



HIGH POWER LED FLOODLIGHT FOR DECKS,  
HOLDS AND SEAPORTS

<b>Design</b>	According to rules of maritime classification societies and relevant standards
<b>Housing</b>	Gear tray stainless steel 1.4404 (AISI 316L), powder coated RAL9016. Back side covered with opal PC hood
<b>Safety pane</b>	Tempered glass, DIN 12150, clear
<b>Mounting</b>	Stainless steel bracket, adjustable
<b>Cable entry</b>	IDC fast connection, 1× Cable Ø 9–14mm
<b>Protection class</b>	IP66/67
<b>Weight</b>	10.0 kg
<b>Light source</b>	3 × LED engine
<b>Wattage</b>	3 × 50 W
<b>CCT (color)</b>	5,000 K
<b>Luminous flux</b>	18,000 lm
<b>Voltage</b>	120–277 V AC
<b>Frequency</b>	50–60 Hz

#### PART NO.

ST80 M 3 × 22°	5101007300-001
ST80 M 3 × 37°	5101007300-006
ST80 M 3 × 52°	5101007300-011
ST80 M 3 × 91°	5101007300-003

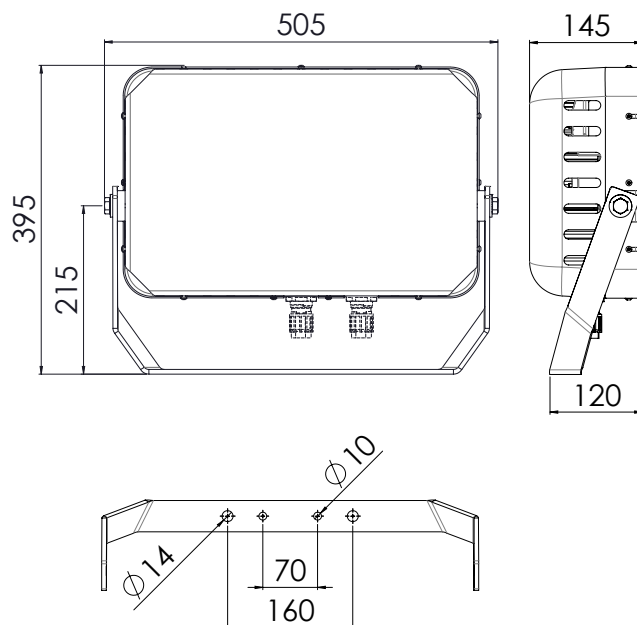
#### SPARE PARTS

#### PART NO.

PC hood	7502008000
Bracket	7501000100
Cable entry	7211004800

#### EXTRAS

- > Reflectors with different beam angles can be combined
- > CCT also optional in 2,700–4,000 K available
- > Cable entry: 2 × IDC Fast connection, 2 × cable Ø 9–14 mm
- > Power supply: preinstalled connection cable 3G2.5, 3 meters
- > Stainless steel hood



[mm]