



HIGH EFFICIENT, STAINLESS STEEL LED FLOODLIGHT FOR DECKS AND HOLDS

<b>Design</b>	According to rules of maritime classification societies and relevant standards
<b>Housing</b>	Stainless steel, 1.4404 (AISI 316L), seamless deep drawn powder coated white (RAL9016)
<b>Safety pane</b>	Tempered glass, DIN 12150, partially lacquered
<b>Mounting</b>	Stainless steel bracket, adjustable
<b>Cable entry</b>	Exterior connection box, cable gland M20
<b>Protection class</b>	IP67
<b>Weight</b>	15.2 kg
<b>Light source</b>	4 × LED array
<b>Wattage</b>	4 × 25 W
<b>CCT (color)</b>	5,700 K
<b>Luminous flux</b>	11,000 lm
<b>CRI</b>	≥ 80
<b>Voltage</b>	110–240 V AC
<b>Frequency</b>	50–60 Hz

#### PART NO.

ST76 XL 4 × 22°	5101005520-000
ST76 XL 4 × 37°	5101005520-001
ST76 XL 4 × 52°	5101005520-002
ST76 XL 4 × 91°	5101005520-005

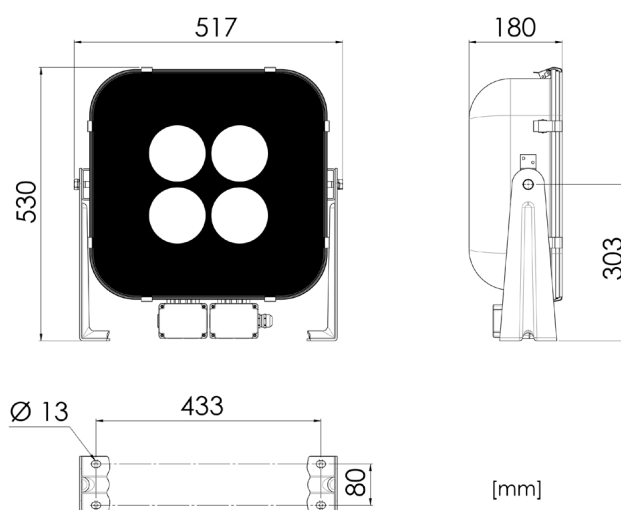
#### SPARE PARTS

#### PART NO.

Cover with frame	7902003400
Bracket	7501006200
Reflector kit 22°	7901003400
Reflector kit 37°	7901003500
Reflector kit 52°	7901003600
Reflector kit 91°	7901003700

#### EXTRAS

- > 24 V DC execution
- > Different cable glands
- > Reflectors with different beam angles can be combined
- > Different color temperatures



[mm]