



HIGH EFFICIENT, STAINLESS STEEL LED FLOODLIGHT FOR DECKS AND HOLDS

Design	According to rules of maritime classification societies and relevant standards
Housing	Stainless steel, 1.4404 (AISI 316L), seamless deep drawn powder coated white (RAL9016)
Safety pane	Tempered glass, DIN 12150, partially lacquered
Mounting	Stainless steel bracket, adjustable
Cable entry	Exterior connection box, cable gland M20
Protection class	IP67
Weight	4.0 kg
Light source	1× LED array
Wattage	1× 25 W
CCT (color)	5,700 K
Luminous flux	3,000 lm
CRI	≥ 80
Voltage	110–240 V AC
Frequency	50–60 Hz

PART NO.

ST76 S 1× 22°	5101005320-000
ST76 S 1× 37°	5101005320-002
ST76 S 1× 52°	5101005320-014
ST76 S 1× 91°	5101005320-011

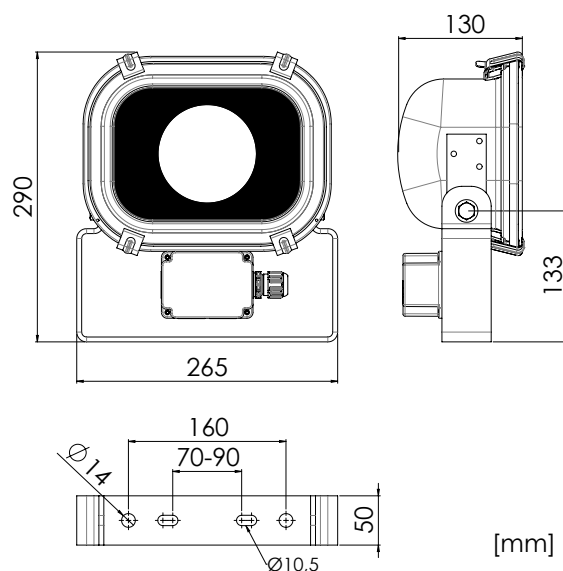
SPARE PARTS

PART NO.

Cover with frame	7902004400
Bracket	7501007100
Reflector kit 22°	7901003400
Reflector kit 37°	7901003500
Reflector kit 52°	7901003600
Reflector kit 91°	7901003700

EXTRAS

- > 24 V DC execution
- > Different cable glands
- > Different color temperatures



[mm]