

MARINE LED FLOODLIGHT

IP67 Type RGLM-1000

Application: Decks, Marinas, Docks, Ports



Model: RGLM-500A

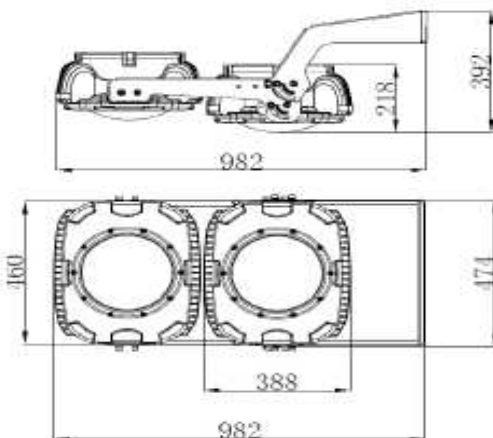
Power: 1000W
Initial Lumen Flux: 120.000lm

Beam angle: 60°

Net Weight: 31kg
Color Temperature: 6000 K
Color Rendering: ≥Ra80
Working Life: ≥100.000Hrs
Housing: Aluminum
IP Class: IP67

Working Temperature: -40°C ~+ 60°C

AC Input Voltage: AC80-360V
Power Factor: ≥0.98



Model: RGLM-500P

Power: 1000W
Initial Lumen Flux: 120.000lm

Beam angle: 20°

Net Weight: 39 kg
Color Temperature: 6000 K
Color Rendering: ≥Ra80
Working Life: ≥100.000Hrs
Housing: Aluminum
IP Class: IP67

Working Temperature: -40°C ~+ 60°C

AC Input Voltage: AC80-360V
Power Factor: ≥0.98

