

MARINE LED FLOODLIGHT IP66 Type MMFL4

Application: Decks, Marinas, Docks, Ports, Warehouses
Ideal replacement : MH 2x250W / HPS 400W

Housing:

Marine grade aluminium alloy with powder coating

Front cover:

Tempered glass, thickness 4mm

Bracket:

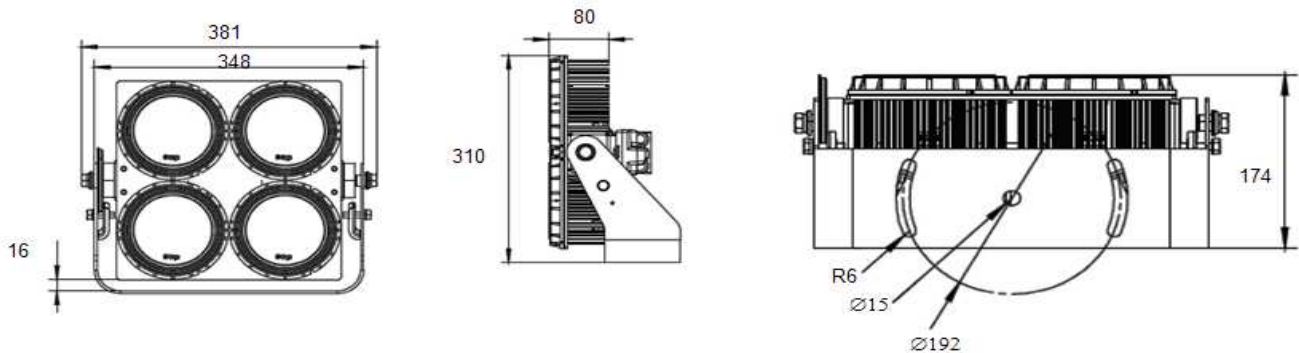
Stainless steel , adjustable

Weight: 7,5Kg



Featuring

- * Rapid heat-dispersing design to prolong lamp life and optimise lumen output
- * Long service life of 100,000 hours @ 50°C (Ta)
- * Compact and lightweight design
- * Interchangeable module
- * Safety, EMC and IEC compliance
- * Option Triac Dimming Compatible



Technical specifications

order n°	V / Hz	Power	CCT	Beam angle	T.a.	Lumen
MMFL4-W-5	230V/50-60	224W	5000°K	115°	-40 / +50°C	2200 lm
MMFL4-N-5	230V/50-60	224W	5000°K	45°	-40 / +50°C	21600lm
MMFL4-W-110	110V/50-60	224W	5000°K	105°	-40 / +50°C	18000lm
MMFL4-N-110	230V/50-60	224W	5000°K	45°	-40 / +50°C	18000 lm
MMFL4-W-24	24V DC	224W	5000°K	130°	-40 / +50°C	19600lm
MMFL4-N-24	24V DC	224W	5000°K	35°	-40 / +50°C	18400 lm

special executions on demand : contact our Customer Service