

## LED PENDANT LIGHT

## IP56 Type MMEGLM30

**Application:** Engine rooms, Low visibility areas, Decks, Bilges  
**Ideal replacement :** incandescent bulb 300W /fluorescent lamps up to 40W

### Housing:

PBT fiberglass reinforced body,

### Heat sink:

Marine grade aluminium with powder coating

### Diffuser and Guard :

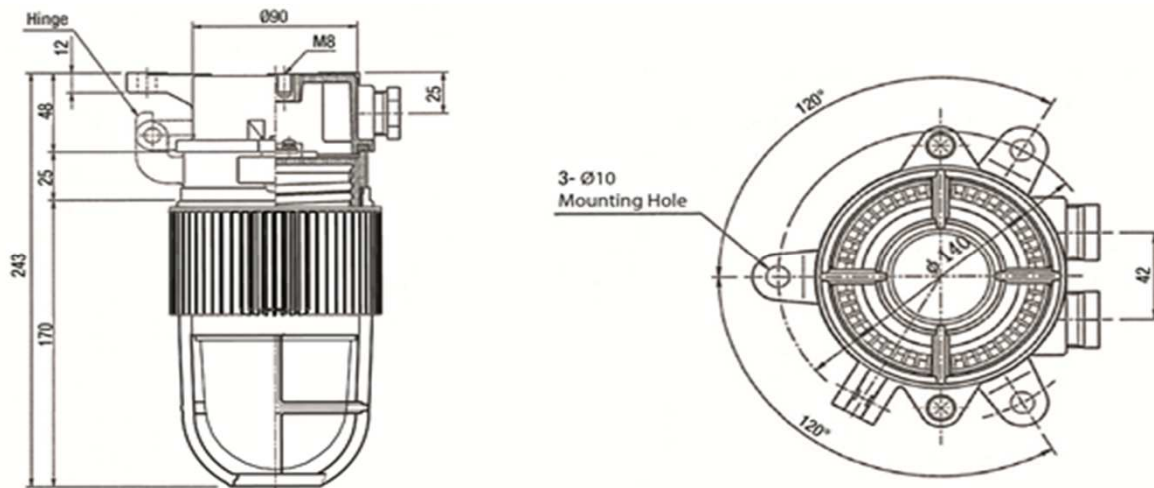
Opal polycarbonate

**Weight:** 1.5 Kg



### Featuring

- \* complete integrated solution ( housing -LED module- diffuser)
- \* Long service life of 30,000 hours @ 45°C (Ta)
- \* Compact and lightweight design
- \* Vibration resistant
- \* Safety, EMC and IEC compliance



### Technical specifications

order n°	V / Hz	Power	CCT	Beam angle	T.a.	Lumen
<b>MMEGLM30</b>	100-240V AC/DC	30W	5000°K	180°	-40 / +45°C	2900 lm

special executions on demand : contact our Customer Service