

## LED PENDANT LIGHT

**IP56**

**Type MMEGLM11**

**Application:** Engine rooms, Low visibility areas, Decks, Bilges  
**Ideal replacement :** incandescent bulb 100W

**Housing:**

PBT fiberglass reinforced body

**Heat sink:**

Marine grade aluminium with powder coating

**Diffuser and Guard :**

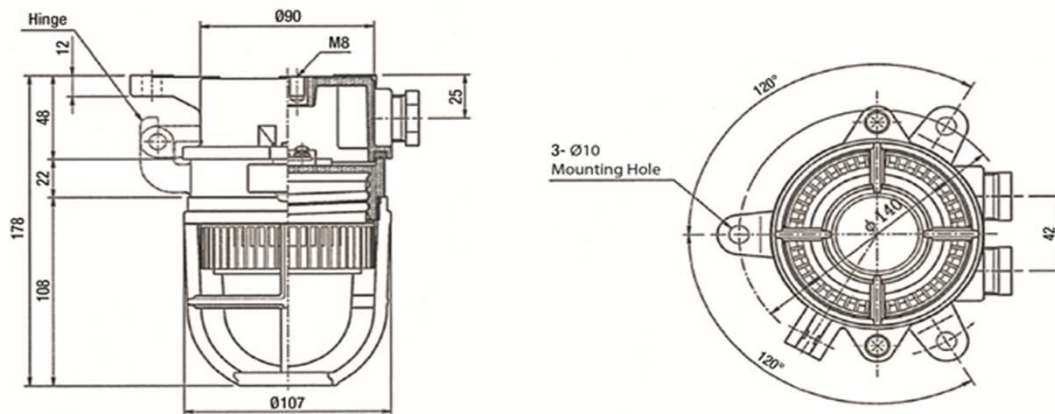
Opal polycarbonate

**Weight:** 1.0 Kg



**Featuring**

- \* complete integrated solution ( housing -LED module- diffuser)
- \* Long service life of 50,000 hours @ 45°C (Ta)
- \* Compact and lightweight design
- \* Vibration resistant
- \* Safety, EMC and IEC compliance
- \* EXTRA\* Triac Dimming compatible (220-240VAC & 100-120VAC only)



**Technical specifications**

order n°	V / Hz	Power	CCT	Beam angle	T.a.	Lumen
<b>MMEGLM10-24</b>	24 VDC	10W	5000°K	160°	-40 / +45°C	950 lm
<b>MMEGLM11</b>	100-240V AC/DC	11W	5000°K	160°	-40 / +45°C	950 lm

Special executions on demand : contact our Customer Service