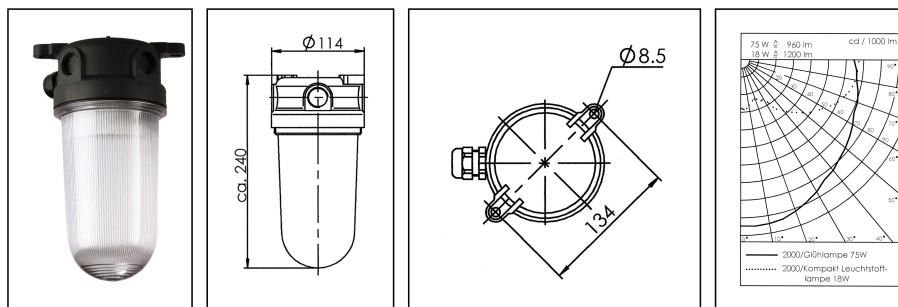


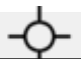
2000/E27/clear

Multi-purpose light



Product illustrations are exemplary and may differ from the chosen product. Further variants and individual customization, we will gladly provide you on request.



WISKA-Order no.	10015000
Type	2000/E27/clear
Material	PBT
Material globe/diffuser	Polycarbonate
Globe colour	Clear
Power[^]	1 x 75 W
Wattage	75 W
Voltage	230 V
Protection class	IP68
Temp. range min	-30 °C
Temp. range max	45 °C
Lampholder	E27
Number of lampholder	1 ST
Lamp	Incandescent lamp
Lamp	not included
Lamp shape	pear-shaped
Material cable gland	Polyamide
Type of cable gland	ESKV 20 PLUS / 7,5-14mm
Using for cable gland	
Ø cable diameter min	7,5 mm
Ø cable diameter max	14 mm
External dimensions LxWxH	134x240mm
Weight	0,57 kg
Approval	GL
Colour	Black

Mounting

Ceiling, Upside down, Upside, Surface mounting

Equipment

4 threaded knockout entry M20

Equipment:

- Plastic: impact resistant, heat-and water resistant
- 4 threaded knockout entries M20
- Separate terminal to loop the armour
- 2 cable glands ESKV 20 enclosed separately

Recommended accessories

SP-Vibration damper light 2000	22000912
---------------------------------------	----------

Spare parts

SP-Incandescent lamp 60W 230V E27	22000191
SP-2080 Structured globe clear	22000201
SP-2000 ST/E 27 Baseplate	22000278
SP-2000 Housing M20	22000382

20.03.2017

