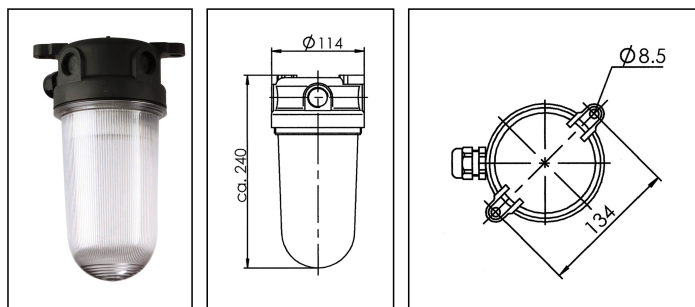



## 2000/B 220V/AC/clear

Multi-purpose light with flash electronic 5Ws 220V IP68, clear cover



Products may differ in size, colour and appearance to those shown. If you require further information or customisation, please contact us directly.



<b>WISKA-Order no.</b>	10015450
<b>Type</b>	2000/B 220V/AC/clear
<b>Material</b>	PBT
<b>Material globe/diffuser</b>	Polycarbonate
<b>Globe colour</b>	Clear
<b>Voltage</b>	220 V
<b>Type of Voltage</b>	AC
<b>Protection class</b>	IP68
<b>Temp. range min</b>	-25 °C
<b>Temp. range max</b>	45 °C
<b>Number of lampholder</b>	1 ST
<b>Flash-energy</b>	5Ws 60/Min
<b>Lightsource</b>	Flashlight
<b>Type of cable gland</b>	ESKV 20 PLUS / 7,5-14mm
<b>Ø cable diameter min</b>	7,5 mm
<b>Ø cable diameter max</b>	14 mm
<b>Using for cable gland</b>	
<b>Material cable gland</b>	Polyamide
<b>Equipment</b>	4 threaded knockout entry M20
<b>Mounting</b>	Ceiling, Upside down, Upside, Surface mounting
<b>Colour</b>	Black
<b>External dimensions LxWxH</b>	134x240mm
<b>Weight</b>	0,6 kg
<b>Approval</b>	GL, RMRS

Equipment:

Your Contact:

WISKA Hoppmann GmbH

Kisdorfer Weg 28 · 24568 Kaltenkirchen · Germany

☎ +49-4191-508-0 · 📠 +49-4191-508-209

contact@wiska.de · www.wiska.com

- Plastic: impact resistant, heat-and water resistant
- 4 threaded knockout entries M20
- Separate terminal to loop the armour
- Flash electronic 5Ws (60 flashes/minute)
- 2 cable glands ESKV 20 enclosed separately

## Spare parts

SP-2000 BL 5 W/S 220V Baseplate flash	22000187
SP-2080 Structured globe clear	22000201
SP-2000 Housing M20	22000382

25.01.2021

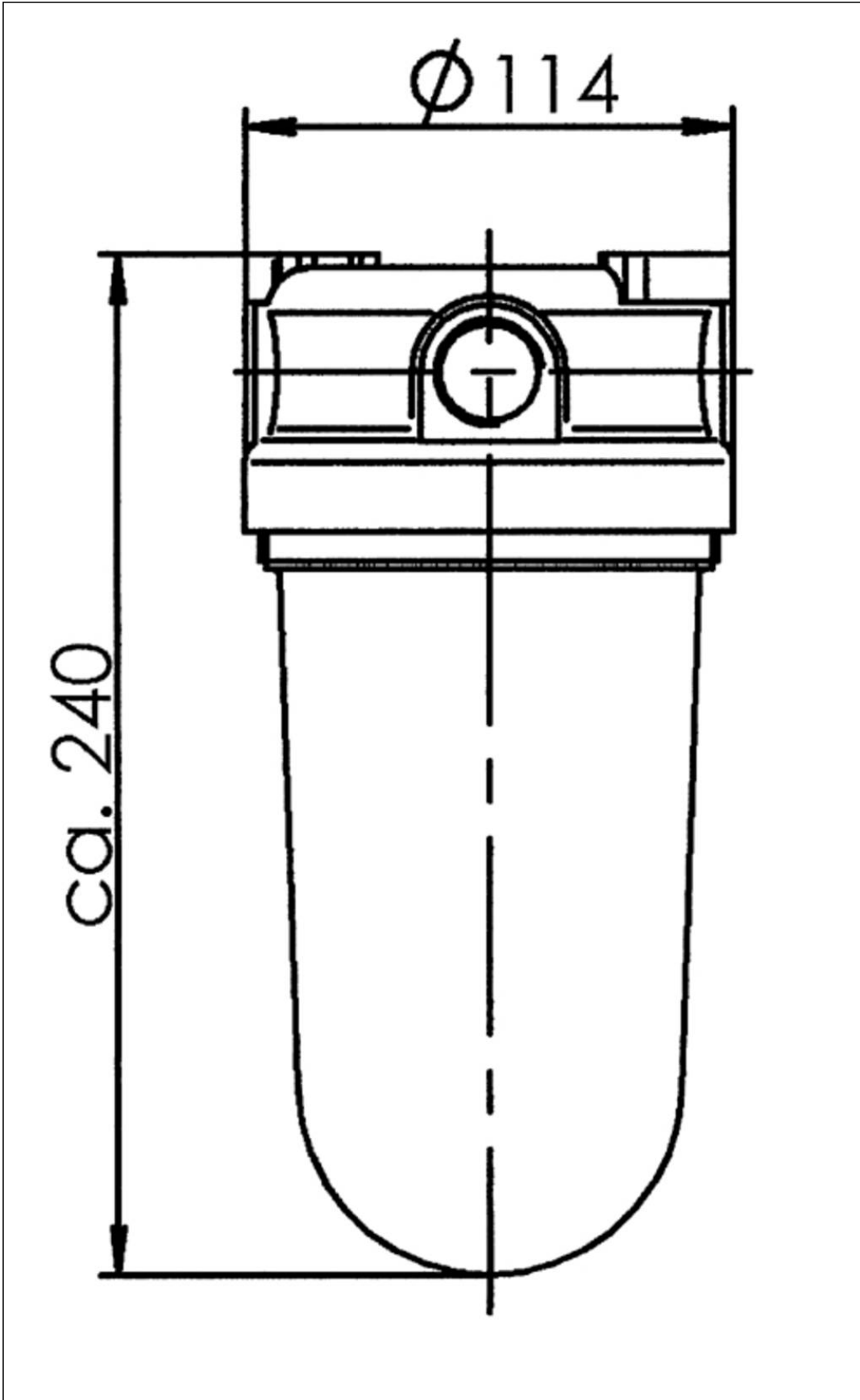
Your Contact:

**WISKA Hoppmann GmbH**

Kisdorfer Weg 28 · 24568 Kaltenkirchen · Germany

☎ +49-4191-508-0 · 📠 +49-4191-508-209

contact@wiska.de · www.wiska.com



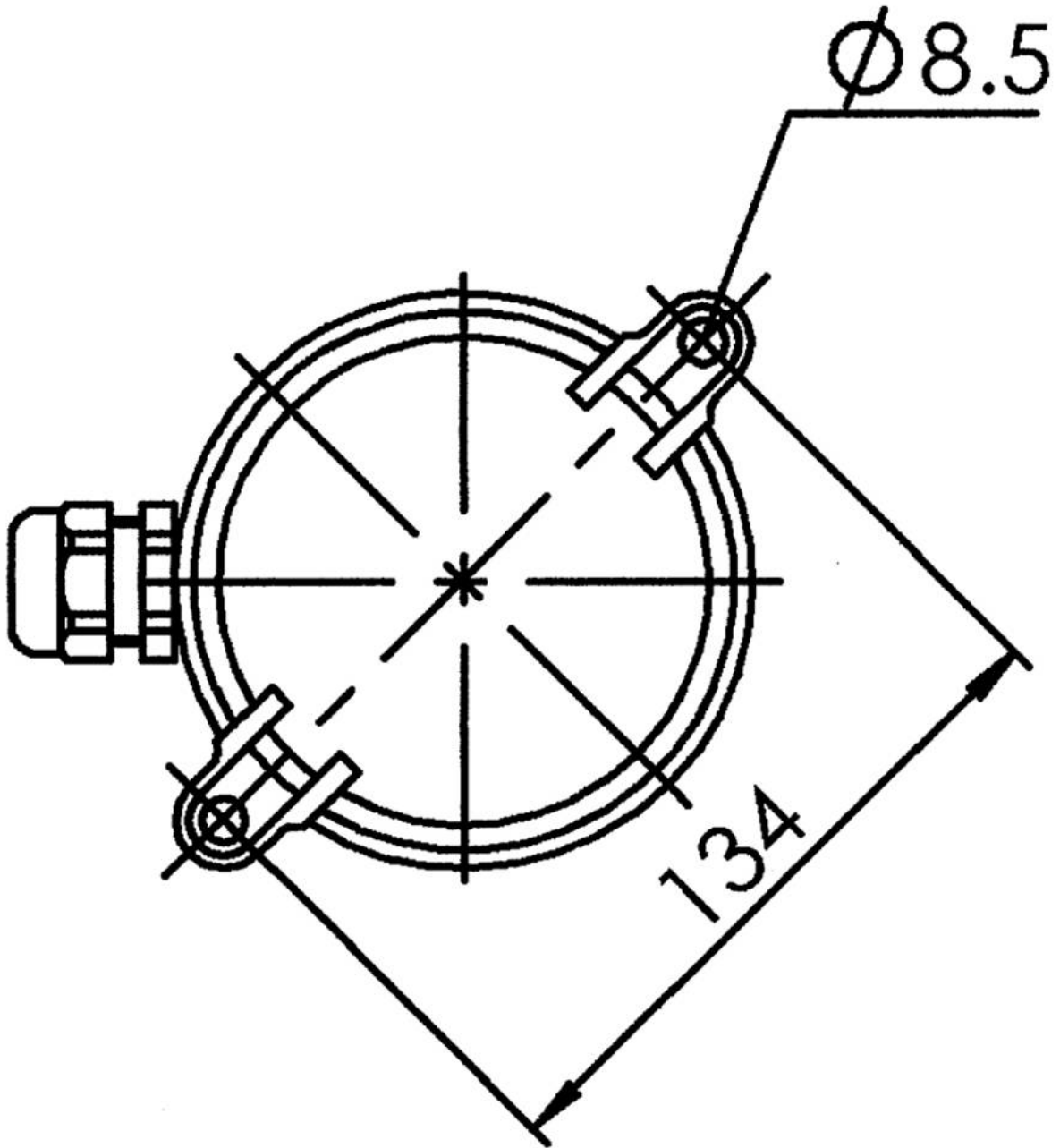
Your Contact:

**WISKA Hoppmann GmbH**

Kisdorfer Weg 28 · 24568 Kaltenkirchen · Germany

☎ +49-4191-508-0 · 📠 +49-4191-508-209

contact@wiska.de · www.wiska.com



Your Contact:

**WISKA Hoppmann GmbH**

Kisdorfer Weg 28 · 24568 Kaltenkirchen · Germany

☎ +49-4191-508-0 · 📠 +49-4191-508-209

contact@wiska.de · www.wiska.com