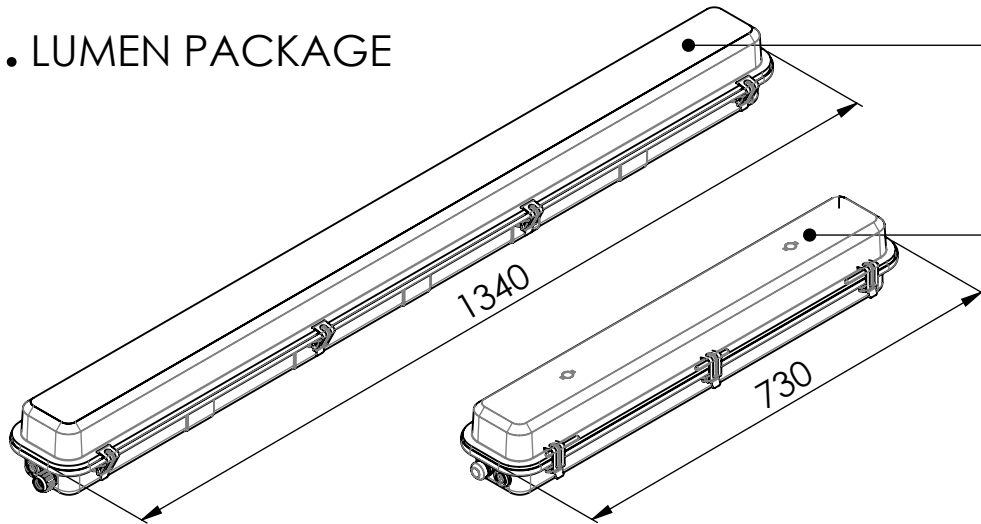


TL40 LED

CONFIGURATOR



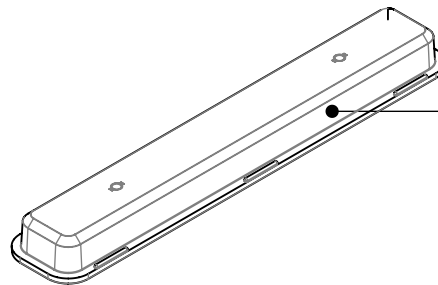
1. LUMEN PACKAGE



TL40L 4500lm

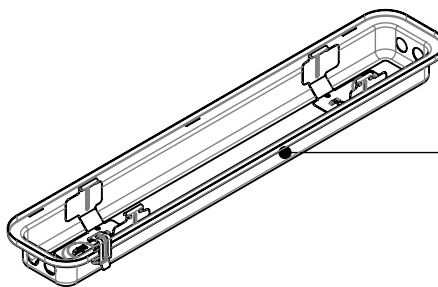
TL40S 2200lm

2. COVER



PC OPAL
 PC CLEAR

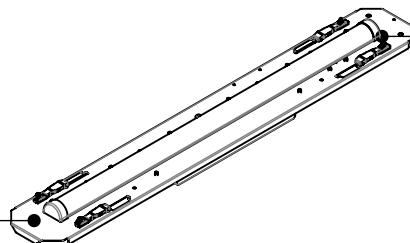
3. HOUSING



ZINK PLATED STEEL
 STAINLESS STEEL

4. LIGHTING UNIT

EXTRAS:
SEC. CIRCUIT 24V
3H BATTERY BACKUP

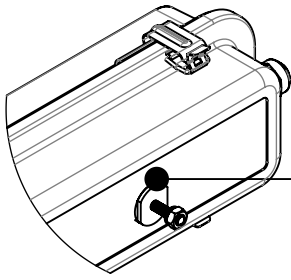


120 V
 230 V

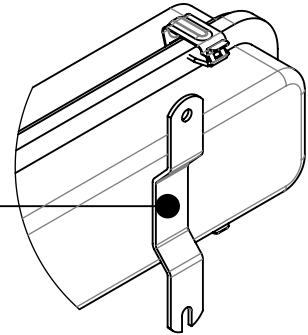
3000K
 4000K
 6500K

— CRI ≥80

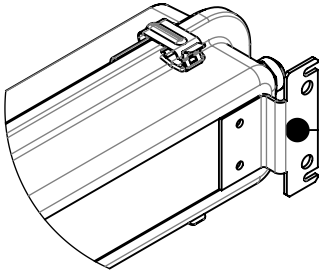
4. MOUNTING TYPE



2x BOLT KIT M8



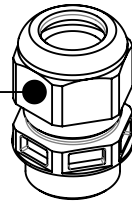
2x LP160 BRACKET



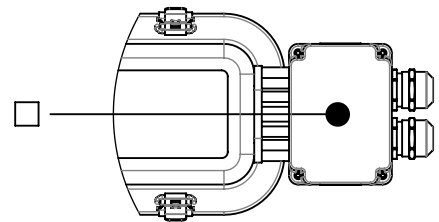
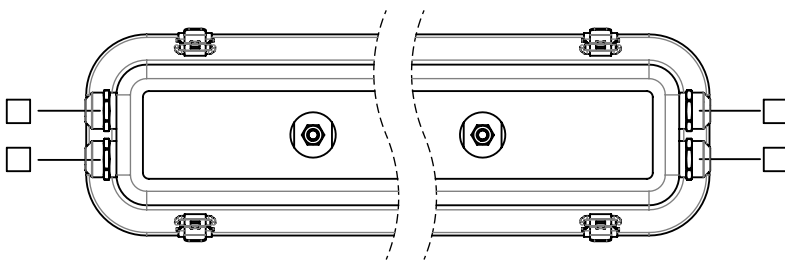
2x GL BRACKETS

5. CABLE GLAND

POLYAMIDE M20
 BRASS MGG M20
 BRASS MGCG M20



6. CABLE ENTRY POSITION



7. SPECIAL EXECUTION

- OUTSIDE EARTHING
- PMMA COVER
- 24VDC MAIN SUPPLY
- HIGH LUMEN OUTPUT
- CRI ≥ 90