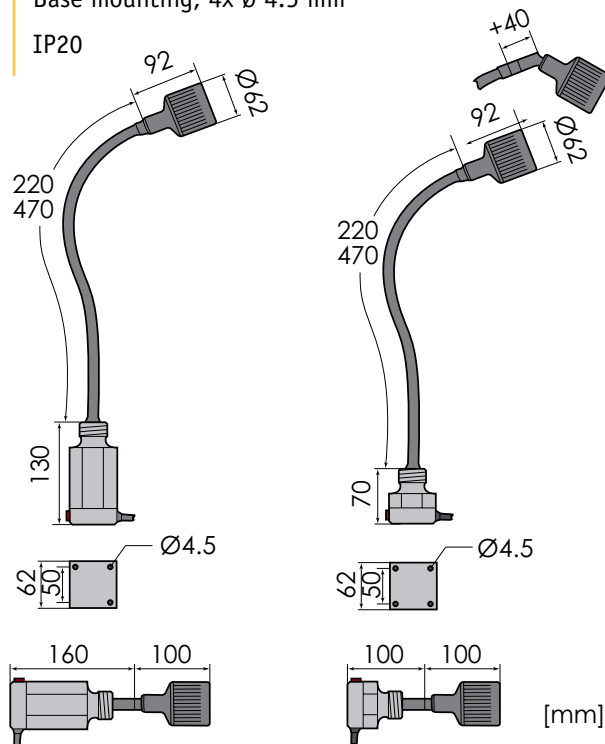




Chart table light with flexible arm and switch in lighting head

- Design** According to rules of maritime classification societies and relevant standards
- Housing** Thermosetting plastic, black
- Flex arm** Available arm lengths 250, 500 or 700 mm
- Mounting** Base mounting, 4x Ø 4.5 mm
- Protection class** IP20



Extras

24 V
Switch in pedestal
Jointed lamp head
IP65

Part no.	
w. transformer	5135000600-xxx
w. dimmer	5135000700-xxx

Light source	QT9 halogen lamp (not included)
Lamp base	G4
Wattage	1x 20 W
Voltage	230 V / 12 V

Spare parts	Part no.
Red lens	7112004300
Transformer 120/ 12 V	7103009500
230/ 12 V	7103008500
230/ 24 V	7103003400