

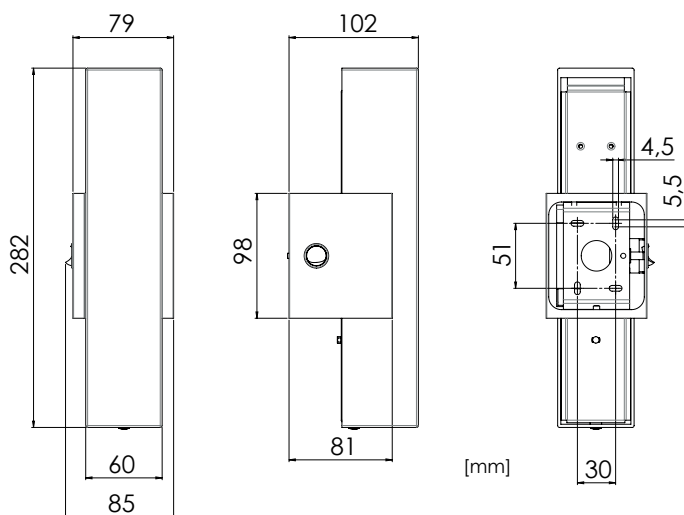


Part no. Switch left 5130007500-003
Switch right 5130007500-004

Light source	LED
CCT	3000 K
Wattage	1x 6 W
Voltage	220-240 V AC
Frequency	50-60 Hz

Wall light with switch for cabins and accommodation areas

Design	According to rules of maritime classification societies and relevant standards
Housing	Aluminium, RAL9006
Diffuser	Opal polycarbonate
Mounting	4 mounting holes, Ø 4.5 mm
Cable entry	Hole
Protection class	IP20
Weight	0.9 kg



Extras

- Other finish on request
- Execution without switch
- USB charging socket

Spare parts	Part no.
Diffuser	7934000600
Lamp holder 2G7	7111015500

