

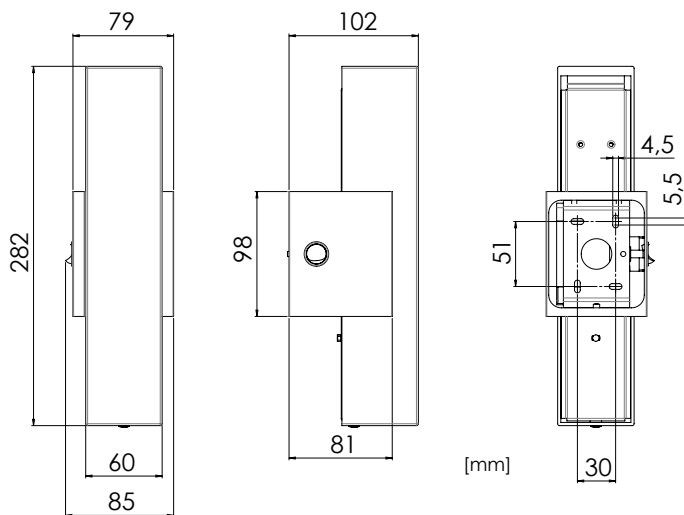


Part no. Switch left 5130007500-005
Switch right 5130007500-006

Light source	Compact fluorescent lamp (not included)
Lamp base	2G7
Wattage	1x 11 W
Voltage	220-240 V AC
Frequency	50-60 Hz

Wall light with switch for cabins and accomodation areas

Design	According to rules of maritime classification societies and relevant standards
Housing	Aluminium, RAL9006
Diffuser	Opal polycarbonate
Mounting	4 mounting holes, Ø 5.5 mm
Cable entry	Ø 24 mm
Protection class	IP20
Weight	1.0 kg



Extras

Other finish on request
Execution without switch
LED execution
USB charging socket

Spare parts	Part no.
Diffuser	7934000600
Lamp holder 2G7	7111015500

