

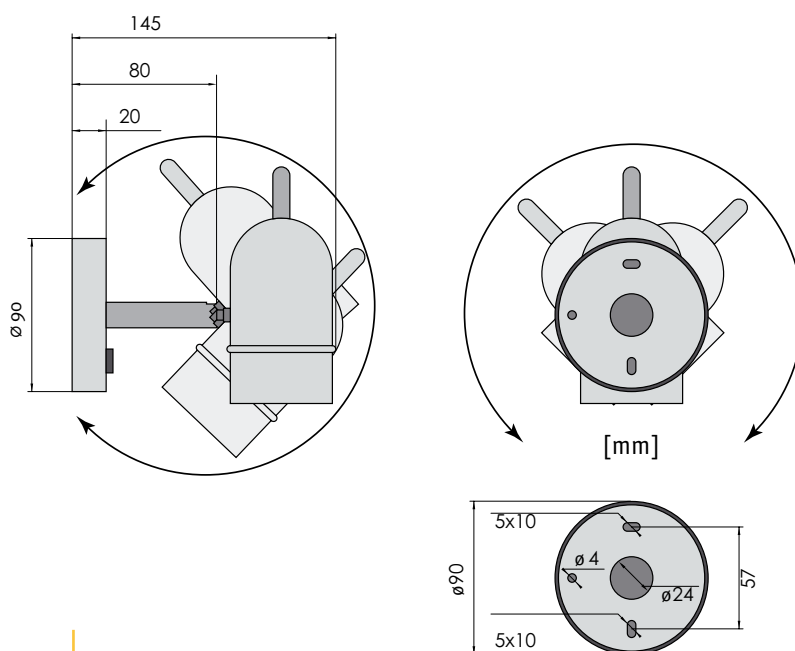


Part no. 5305001000-xxx

Light source	PAR16 LED (not included)
Lamp base	GU10
Voltage	220-240V AC
Frequency	50-60Hz

Individually adjustable spotlight with switch, for PAR16 LED lamps

Design	According to rules of maritime classification societies and relevant standards
Housing	Chromium plated brass
Mounting	2 mounting holes, 5x 10 mm
Cable entry	Ø 24 mm
Swivel range	350°
Protection class	IP20
Weight	0.4 kg



Extras

Other finish on request