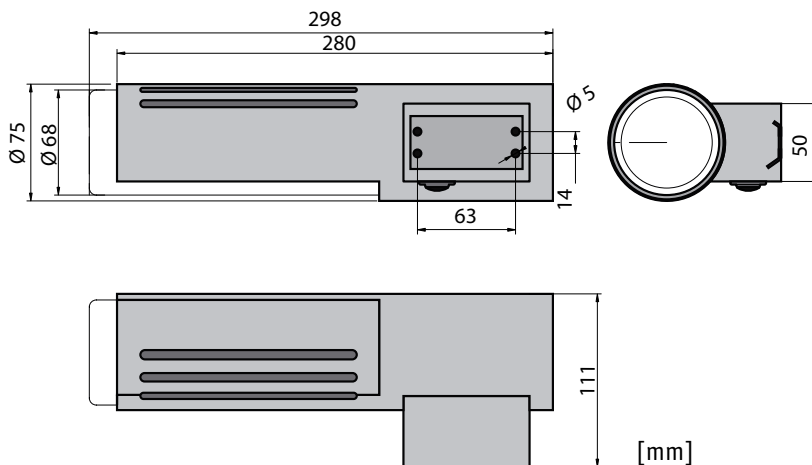


Part no. Type A 5117001100-001
Type B 5117001000-001

Light source	Compact fluorescent lamp (not included)
Lamp base	G24q-2
Wattage	1x 18 W
Voltage	220-240 V AC
Frequency	50-60 Hz

Berth light with switch for cabins and accommodation areas

Design	According to rules of maritime classification societies and relevant standards
Housing	Chromium plated brass
Diffuser	Opal polycarbonate
Mounting	4 mounting holes, \varnothing 5 mm
Protection class	IP20
Weight	0.9 kg



Extras

Other finish on request

Execution without switch

Spare parts	Part no.
Diffuser	7112023600