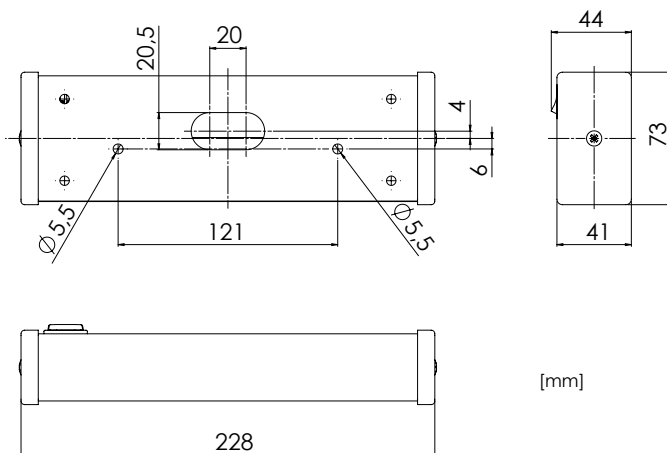




**Berth light with switch,
slim design, ideal for pullman berths**

Design	According to rules of maritime classification societies and relevant standards
Housing	Galvanized steel, powder coated white (RAL9016)
End caps	White polycarbonate
Diffuser	Opal polycarbonate
Switch	On / off switch, 2-pole
Mounting	2 mounting holes, Ø 5.5 mm
Cable entry	Ø 20 mm
Protection class	IP30
Weight	0.35 kg



Part no. 5117008200-xxx

Light source	Linear LED module
Wattage	3 W
CCT (color)	2,700 K or 6,000 K
CRI	≥ 80
Voltage	110-240 V AC
Frequency	50-60 Hz

Spare parts	
LED module	7409001700
LED driver	7103009800
Lamp cover	7112001300
End caps (2pcs)	7504000100

