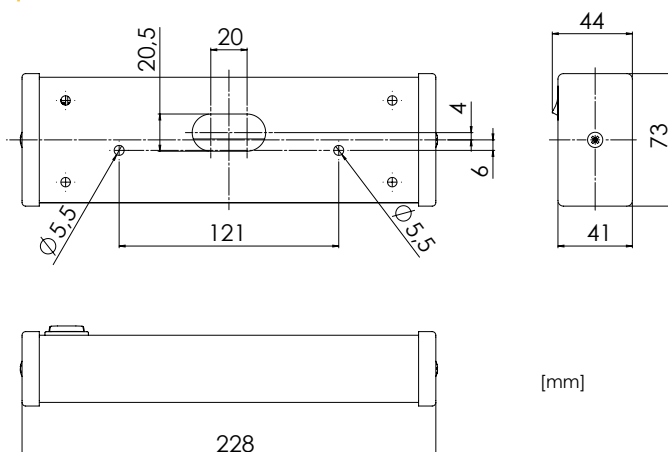




Berth light with switch, slim design, ideal for Pullman berths

Design	According to rules of maritime classification societies and relevant standards
Housing	Galvanized steel, powder coated white (RAL9016)
End caps	White polycarbonate
Diffuser	Opal polycarbonate
Switch	On / off switch, 2-pole
Mounting	2 mounting holes, Ø 5.5 mm
Cable entry	Ø 20 mm
Wiring	Flexible wiring, heat resistant up to 105°C
Protection class	IP30
Weight	0.5 kg



Extras

120 V AC execution
LED execution
Electromagnetic ballast

Part no. 5117000200-021

Light source	Compact fluorescent lamp (not included)
Lamp base	2G7
Wattage	1x 7 / 9 W
Voltage	220-240 V AC
Frequency	50-60 Hz

Spare parts	Part no.
Diffuser	7112001300
End caps (2 pcs)	7504000100
Lamp holder 2G7	7111019800