

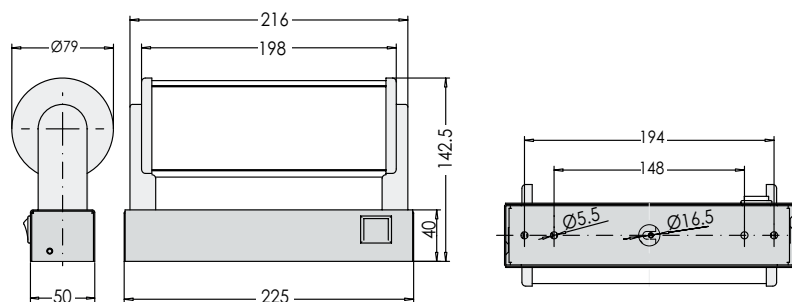
Part no. 5117000300-xxx

Light source	Retrofit LED (not included)
Lamp base	E27 / E14
Voltage	220-240 V AC or 110-120 V AC
Frequency	50-60Hz



Berth light with switch and swivelling reflector for installation in accommodation areas

Design	According to rules of maritime classification societies and relevant standards
Housing	Galvanized steel, powder coated white (RAL9016)
End caps	White polycarbonate
Reflector	Galvanized steel, powder coated white (RAL9016)
Switch	On / off switch, 2-pole
Mounting	2 mounting holes, \varnothing 5.5 mm
Cable entry	\varnothing 16.5 mm
Protection class	IP20
Weight	0.5 kg



[mm]

Spare parts

End caps 7112018600

Extras

Other colors of housing/reflector in accordance with RAL or NCS

With socket