



Part no. 5117000xxx-xxx

Light source Compact fluorescent or incandescent lamp (not included)

Voltage 230 V AC

Frequency 50 or 60 Hz

Berth light with switch and swivelling reflector for cabins and accommodation areas

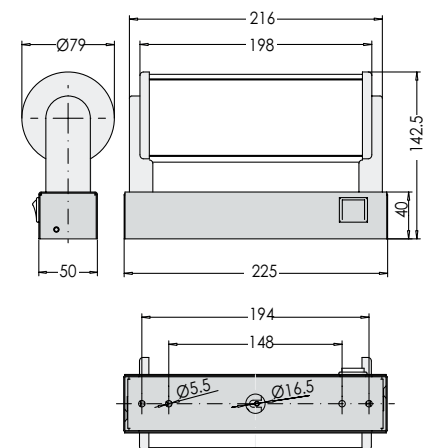
Design	According to rules of maritime classification societies and relevant standards
Housing	Galvanized steel, powder coated white (RAL9016)
End caps	White polycarbonate
Reflector	Galvanized steel, powder coated white (RAL9016)
Switch	On / off switch, 2-pole
Socket	Type B with universal socket
Mounting	2 mounting holes, Ø 5.5 mm
Cable entry	Ø 16.5 mm
Wiring	Flexible wiring, heat resistant up to 105°C
Protection class	IP20

Type	Wattage	Lamp base	Hz	Part no.	Weight
A	40 W	E27	50-60	5117000300-003	0.8 kg
	7/9 W	G23	50	5117000300-005	1.1 kg
	7/9 W	G23	60	5117000300-007	1.1 kg
B	40 W	E27	50-60	5117000400-003	1.0 kg
	7/9 W	G23	50	5117000400-005	1.3 kg
	7/9 W	G23	60	5117000400-007	1.3 kg

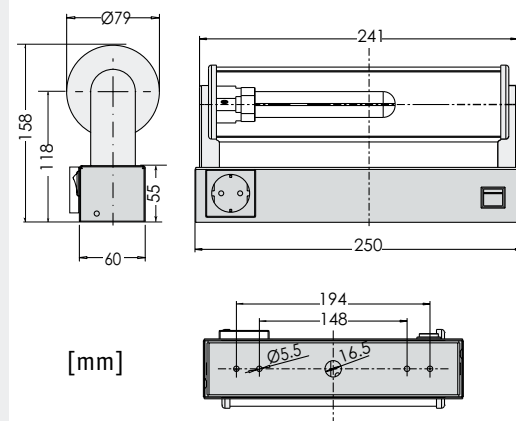
Extras

- 120 V AC execution
- US socket on request
- Different lamp holders on request (E14, B22d, G24d-1)
- Different wattage on request (10/13 W, 5 W)

Type A



Type B



Spare parts	Part no.
End cap	7112018600