

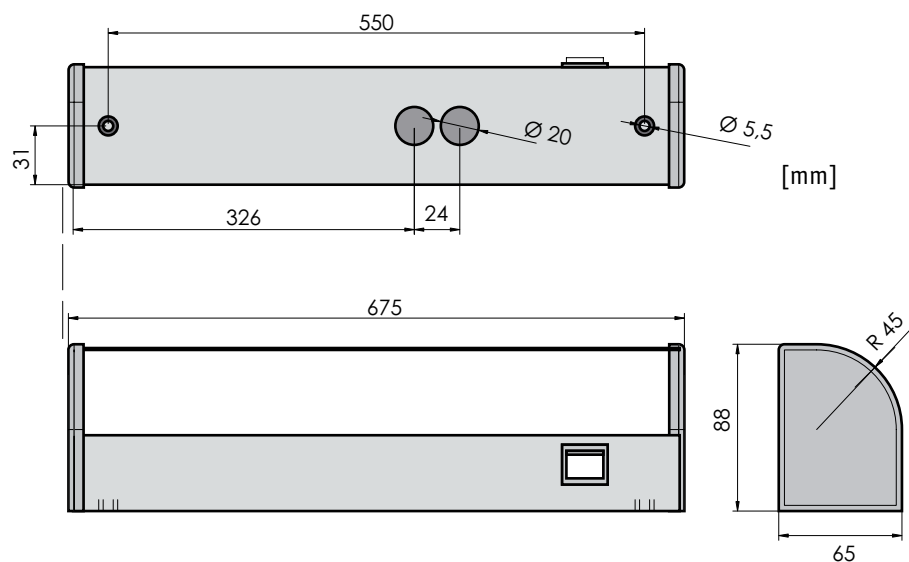
Part no. 5117008300-xxx

Light source	Linear LP LED module
Wattage	10 W
Equivalent	14 W FL T5 18 W FL T8
CCT (color)	3,000 K or 4,000 K
CRI	≥ 80
Voltage	110-240 V AC
Frequency	50-60 Hz



Berth light with switch, for accommodation areas

Design	According to rules of maritime classification societies and relevant standards
Housing	Galvanized steel, powder coated white (RAL9016)
End caps	White polycarbonate
Diffuser	Opal polycarbonate, impact-proof
Switch	On / off switch, 2-pole
Mounting	2 mounting holes, \varnothing 5.5 mm
Cable entry	2 cable entries, \varnothing 20 mm
Protection class	IP30
Weight	1.5 kg



Spare parts

LED module kit	7409001400
LED driver	7103011200
Lamp cover	7112028900
End cap left	7504000400
End cap right	7504000500