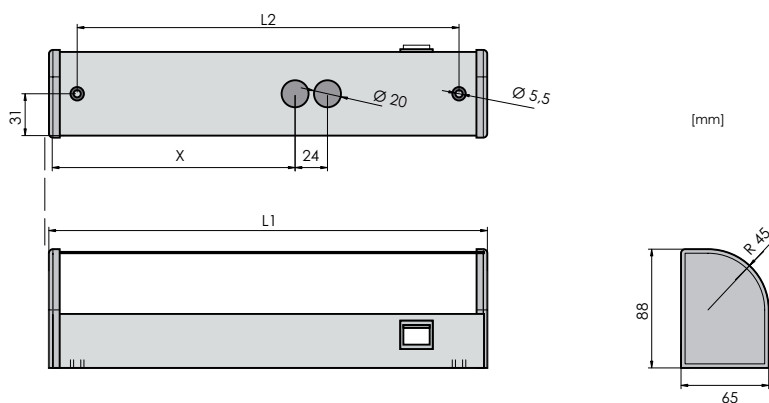




Berth light with switch for accommodation areas

- Design** According to rules of maritime classification societies and relevant standards
- Housing** Galvanized steel, powder coated white
- End caps** White polycarbonate
- Diffuser** Opal polycarbonate
- Switch** On / off switch, 2-pole
- Mounting** 2 mounting holes, \varnothing 5.5 mm
- Cable entry** 2 cable entries, \varnothing 20 mm
- Wiring** Flexible wiring, heat resistant up to 105°C
- Protection class** IP30
- Weight** 0.8 kg (11 W) / 1.9 kg (18 W)



Extras

- 120 V AC execution
- LED execution

Part no. 11 W TC	5117000800-005
18 W T8	5117001200-005

Light source	Compact or T8 fluorescent lamp (not included)
Wattage	1x 11 W (2G7)
(Lamp base)	1x 18 W (G13)
Voltage	220-240 V AC
Frequency	50-60 Hz

Type	L1	L2	X
1x 11 W	325	283	180
1x 18 W	675	550	326

Spare parts	Part no.
Diffuser 11 W	7112020200
Diffuser 18 W	7112028900
End cap left	7504000400
End cap right	7504000500
Lamp holder G13 (4 pcs)	7111018300
w. spring (4 pcs)	7111019000
Lamp holder 2G7	7111019700