

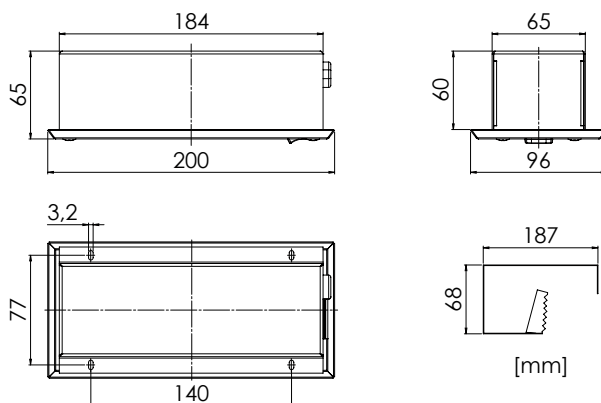


Part no. 5116000100-022

<b>Light source</b>	Compact fluorescent lamp (not included)
<b>Lamp base</b>	2G7
<b>Wattage</b>	1x 7 W
<b>Voltage</b>	220-240 V AC
<b>Frequency</b>	50-60 Hz

### Recessed mounted berth light for cabins

<b>Design</b>	According to rules of maritime classification societies and relevant standards
<b>Housing</b>	Galvanized steel, powder coated white (RAL9016)
<b>Diffuser</b>	Opal polycarbonate
<b>Mounting</b>	4 mounting holes, $\varnothing$ 3.2 mm
<b>Switch</b>	On / off switch, 2-pole
<b>Connection type</b>	Connection cable with WAGO-Winsta 3-pole plug
<b>Wiring</b>	Flexible wiring, heat resistant up to 105°C
<b>Protection class</b>	IP20
<b>Weight</b>	0.6 kg



### Extras

120 V AC execution
Electromagnetic ballast
Different connectors on request
Other finish on request

Spare parts	Part no.
Electronic ballast	7102020800
Switch, white	7201000100
Lamp holder 2G7	7111019800