

## WISKA VARITAIN

Reefer Container Sockets

## We at WISKA

WISKA is your expert for maritime lighting, electrical equipment and CCTV for seagoing vessels. Our products meet the highest quality and safety standards. Our employees are our main asset – whether technician, engineer, craftsman or merchant: Their technical know-how, initiative and innovative ideas are our recipe for success.

## Content

Reefer container sockets by WISKA	4
WISKA is setting standards	5
VARITAIN PushIn Generation	6
VARITAIN PushIn	8
VARITAIN OneTouch Generation	10
VARITAIN OneTouch ECO	10
General benefits of the VARITAIN series	12
CEE products	14
CEE power socket 16 A without switch	
CEE plug and coupling 16 A	
CEE power socket 32 A with switch	
CEE plug and coupling 32 A	
CEE plug and coupling 63 A	
Spare parts	16
CEE standards	18



## Reefer container sockets by WISKA

Since the market introduction of our multiple reefer container sockets in 1994, VARITAIN products have been distinguishing themselves by utmost quality, long service life and cost efficiency. Since then, as one of the leading suppliers, WISKA has been significantly determining the further technical development. This high standard is only possible by in-house innovations, permanent development and the use of high-quality materials.

### Top service combined with quality

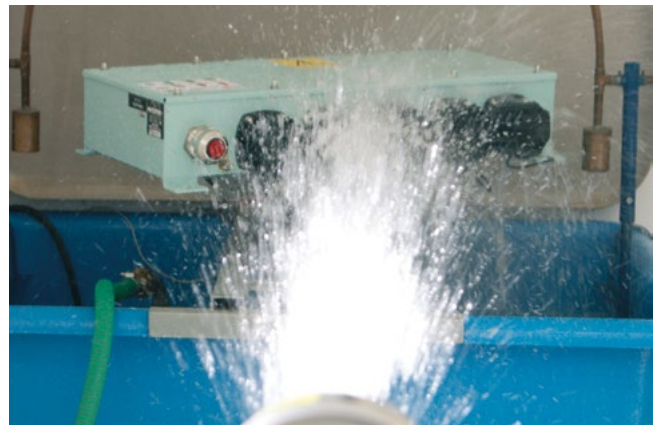
All VARITAIN products are tailor-made. We provide tested welding constructions and top-class plastic manufacturing

from one single source. All VARITAIN products have been checked and approved by international classification societies and resist the most adverse conditions at sea. VARITAIN helps to facilitate life on board, to simplify working processes and to make transport of goods safer. With more than a couple of hundred thousand gangs sold within the past 10 years, sales figures impressively prove the VARITAIN success.

Our global distribution network is able to supply almost every spare part within 24 hours worldwide. And in terms of service we also put our emphasis on long-term availability of spare parts.



For over 90 years, WISKA stands for know-how in plastic production in its own production facilities at the headquarter's site



VARITAIN are subject to diverse quality tests, including impact stability, salt water resistance and diverse water ingress protections

## WISKA is setting standards

Continuous product innovations and high quality since 1994 are the main reasons why WISKA VARITAIN nowadays is used as a synonym for reefer container sockets by many customers.

### 1994 COMBICON



WISKA is the first manufacturer of multiple reefer container sockets in Europe

### 1996 VARITAIN Classic



The patented switching mechanism enables locking and operation in one process

### 2003 VARITAIN Compact



The new compact construction with non-corrosive flanges is launched

### 2004 VARITAIN OneTouch



The first container socket with single-handed operation without external moving components

### 2006 VARITAIN OneTouch ECO



WISKA introduces an enhanced reefer socket with improved design and integrated WISKA circuit breaker

### 2012 VARITAIN PushIn



Just push in: The latest generation of reefer container sockets does not need a separate turn on / off and simplifies spare part handling

## VARITAIN PushIn Generation

The latest generation of WISKA VARITAIN simplifies the operation of the reefer socket significantly and thus, enhances the OneTouch Principle in an innovative way. Besides the famous WISKA single-handed operation, VARITAIN PushIn cuts down a separate operation of the circuit breaker and makes replacing spare parts a child's game.



**Quick & easy:** VARITAIN PushIn has one spare part module, which replaces formerly three single ones: Only one component, containing the MCCB circuit breaker, flange and socket insert, needs to be replaced. Replacing spare parts becomes a child's game, even in roughest sea conditions



**Unforgettable:** Just push in. The integrated circuit breaker is automatically switched on after plug-in. No separate turn on and off is needed anymore and therefore ensures power supply to the reefer container

**Safe:** The PushIn technology ensures that voltage is only supplied after plug-in and automatically switched off after plug-out according to ISO 1496-2

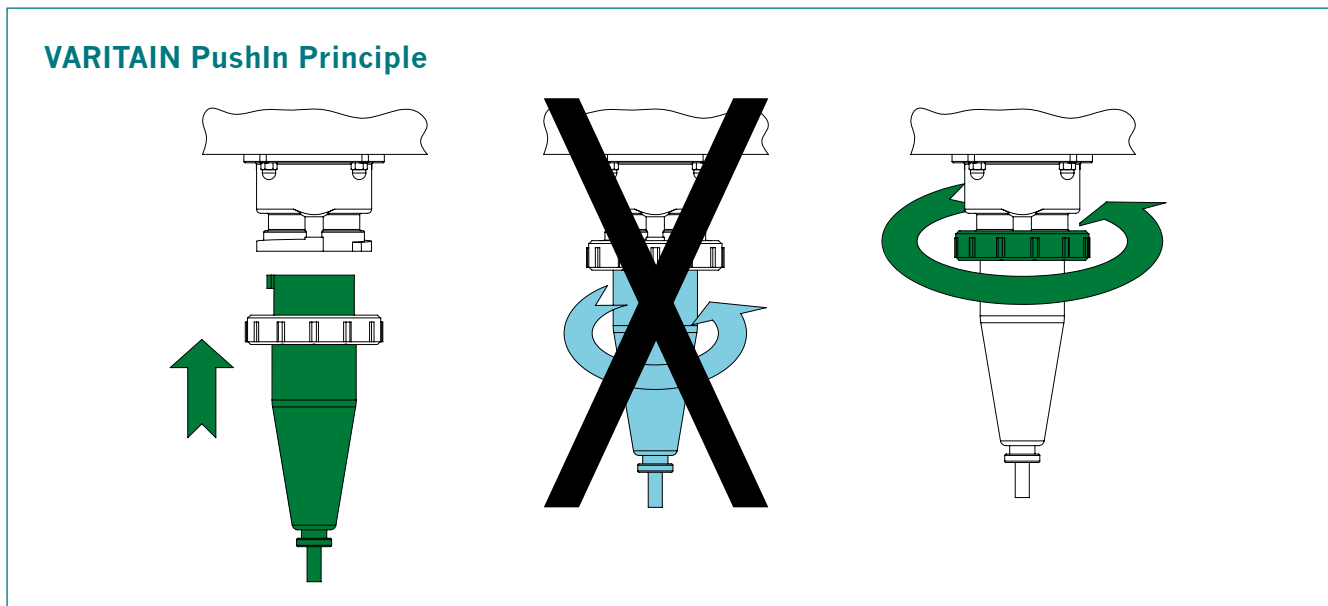


**Easy:** LED reports the current status for quick check of function



**Long-life:** The WISKA VentPLUG pressure compensation unit ensures constant pressure equalization between the interior and exterior and thus, minimizes the risk of condensation water

## VARITAIN PushIn



VARITAIN PushIn: Most simple operation by push in only

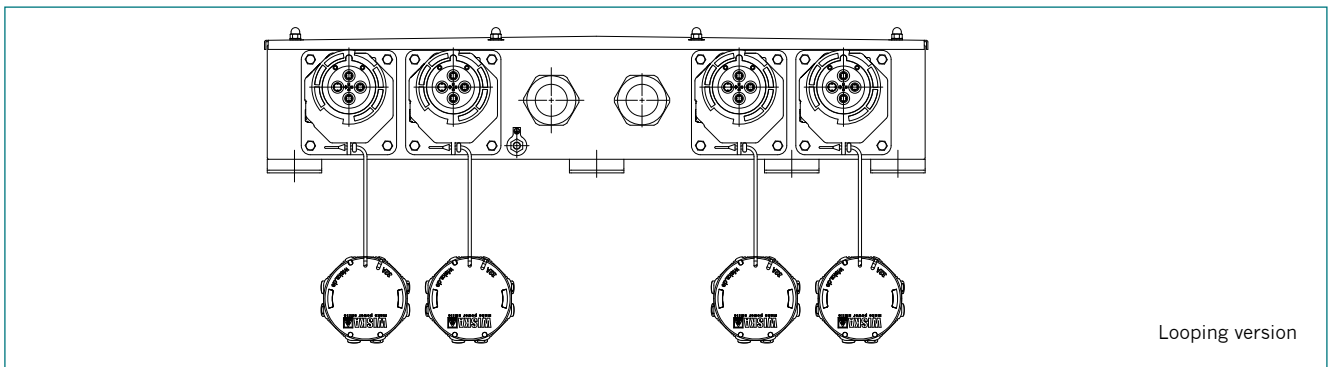
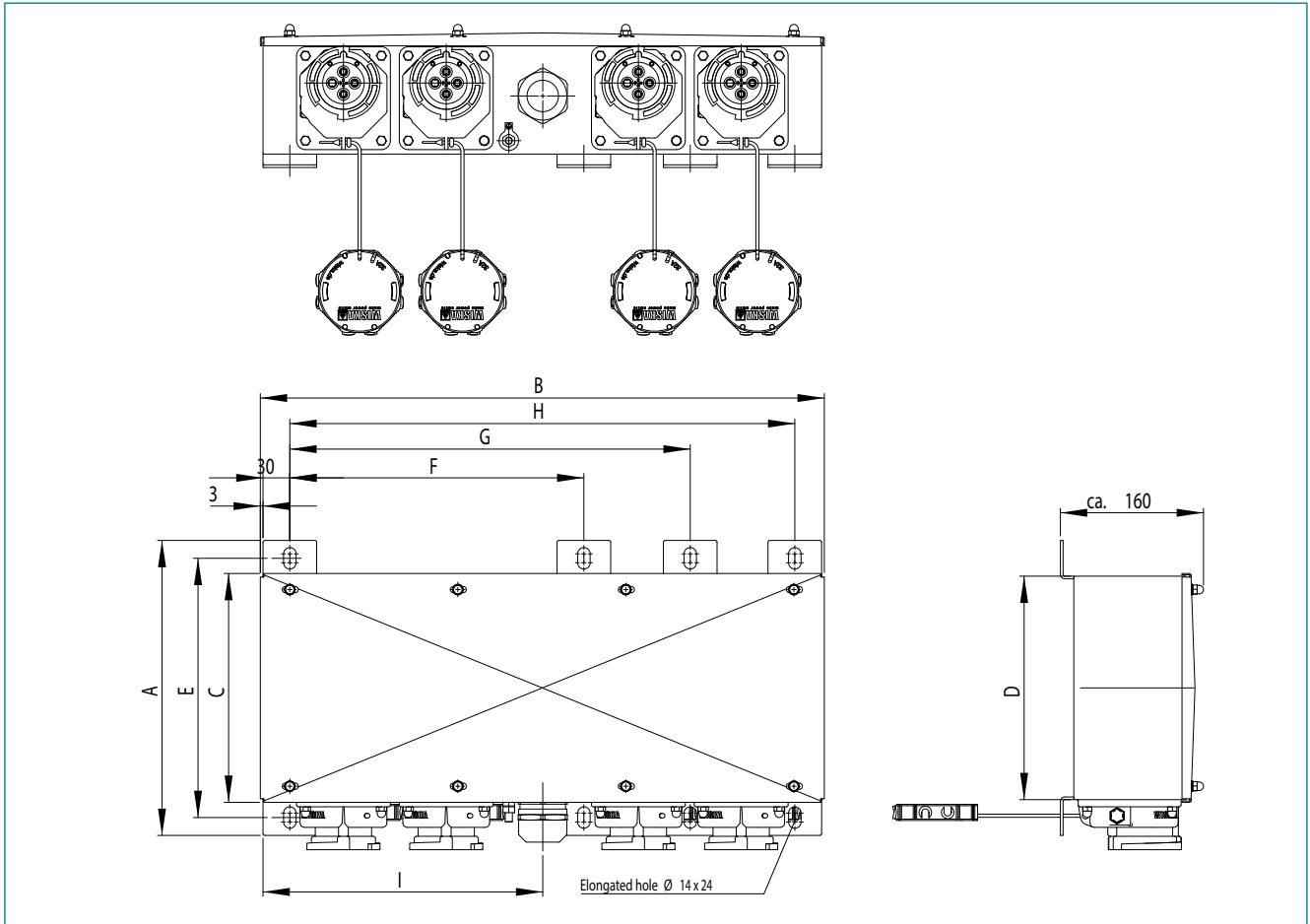
### Your benefits

- Quick and safe operation reduces one work step and avoids forgetting switch on /off
- Easy spare part handling
- No external moving components
- High quality: Specially adjusted WISKA circuit breaker
- One circuit breaker per outlet featuring 10 – 100 kA short-circuit-breaking capacity
- High IP 67 quality
- Made in Germany
- Economic maintenance costs due to extraordinary long service life
- Easy: LED reports the current status (optional)
- Long-life: Innovative pressure compensation unit reduces condensation water (optional)
- Patent pending
- GL applied





## VARITAIN PushIn



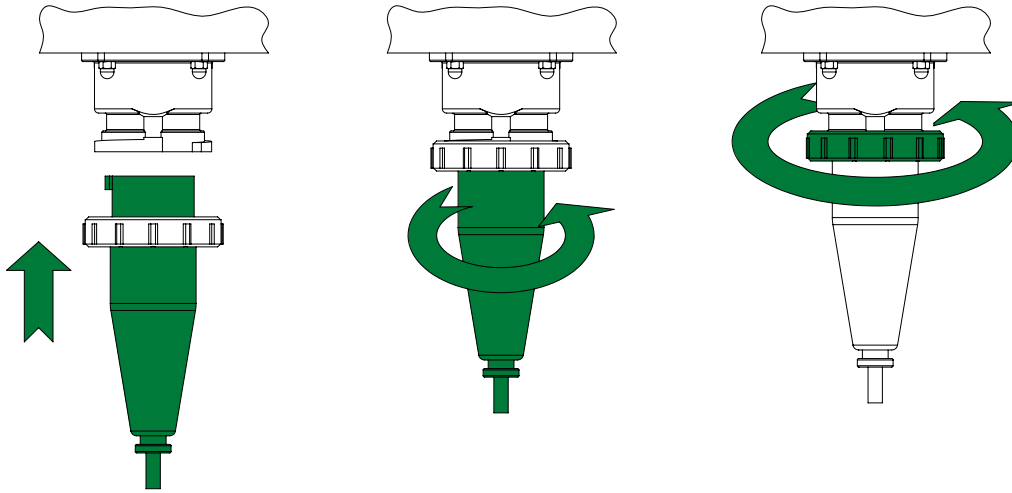
Type	A (mm)	B (mm)	C (mm)	D (mm)	E (mm)	F (mm)	G (mm)	H (mm)	I (mm)	Cable Gland
1-gang	330 (380)	271 (371)	256 (306)	250 (300)	290 (340)	-	-	205 (305)	193 (193)	M40
2-gangs	330 (380)	391 (491)	256 (306)	250 (300)	290 (340)	-	-	325 (425)	193 (193)	M40
3-gangs	330 (380)	516 (616)	256 (306)	250 (300)	290 (340)	-	-	450 (550)	313 (313)	M50
4-gangs	330 (380)	631 (731)	256 (306)	250 (300)	290 (340)	- (333)	-	565 (665)	313 (313)	M50
5-gangs	380 (380)	766 (866)	306 (306)	300 (300)	340 (340)	345 (345)	-	700 (800)	325 (325)	M63
6-gangs	380 (380)	881 (981)	306 (306)	300 (300)	340 (340)	460 (460)	-	815 (915)	438 (438)	M63
7-gangs	380 (380)	996 (1096)	306 (306)	300 (300)	340 (340)	460 (460)	-	930 (1030)	438 (438)	M63
8-gangs	380 (380)	1111 (1211)	306 (306)	300 (300)	340 (340)	575 (347)	- (798)	1045 (1145)	553 (553)	M63
9-gangs	380 (380)	1226 (1326)	306 (306)	300 (300)	340 (340)	347 (347)	812 (913)	1160 (1260)	553 (553)	M63
10-gangs	380 (380)	1341 (1441)	306 (306)	300 (300)	340 (340)	462 (462)	927 (913)	1275 (1375)	668 (668)	M63

(Looping version, with two cable glands)

Please contact us for any tailor-made sizes

## VARITAIN OneTouch Generation

### VARITAIN OneTouch Principle



VARITAIN OneTouch: Simple single-handed operation without external moving components

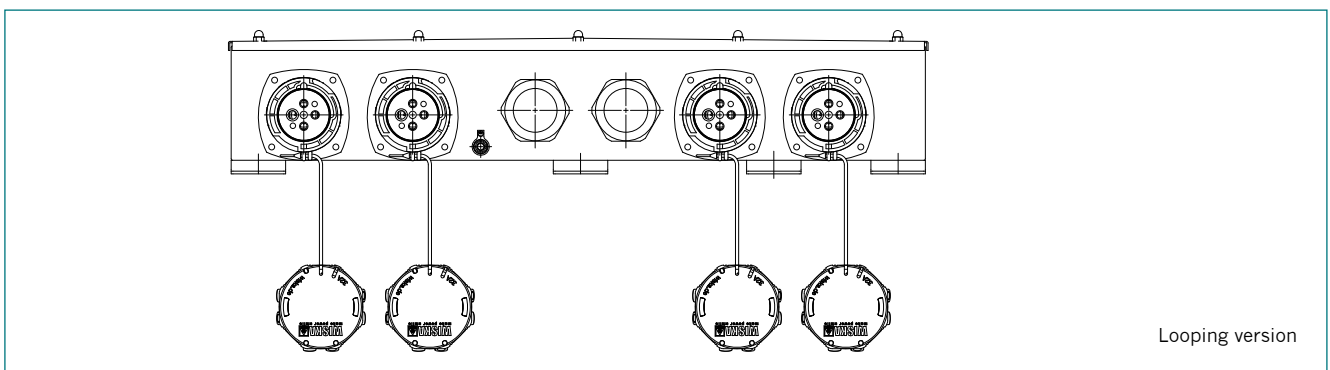
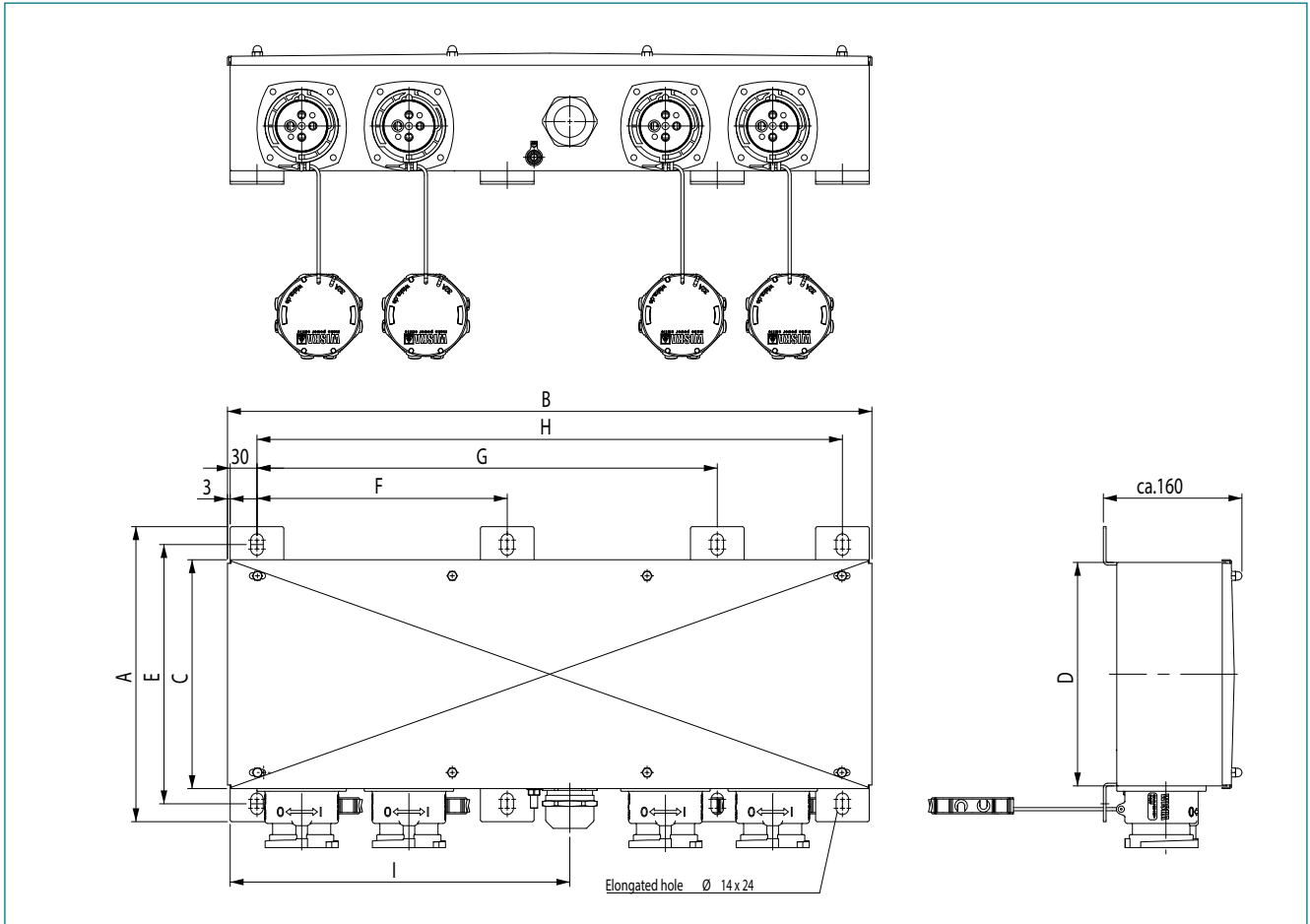
### VARITAIN OneTouch ECO

VARITAIN OneTouch ECO belongs to the most famous VARITAIN series supplied by WISKA. Their high technical standard predestines them for employment on container ships worldwide and has proven itself thousand times.

- No external moving components
- Specially adjusted WISKA circuit breaker
- One circuit breaker per outlet featuring 10 – 100 kA short-circuit-breaking capacity
- Economic maintenance costs due to extraordinary long service life
- High IP 67 quality
- Rapid exchange of spare parts without special tools
- Certified by Bureau Veritas and Germanischer Lloyd



## VARITAIN OneTouch ECO



Type	A (mm)	B (mm)	C (mm)	D (mm)	E (mm)	F (mm)	G (mm)	H (mm)	I (mm)	Cable Gland
1-gang	330 (380)	271 (411)	256 (306)	250 (300)	290 (340)	-	-	205 (345)	70 (95)	M40
2-gangs	330 (380)	481 (531)	256 (306)	250 (300)	290 (340)	-	-	415 (465)	270 (215)	M40
3-gangs	330 (380)	601 (651)	256 (306)	250 (300)	290 (340)	-	-	535 (585)	380 (335)	M50
4-gangs	330 (380)	721 (771)	256 (306)	250 (300)	290 (340)	280 (355)	-	655 (705)	380 (335)	M50
5-gangs	380 (380)	841 (891)	306 (306)	300 (300)	340 (340)	400 (355)	-	775 (825)	380 (335)	M63
6-gangs	380 (380)	961 (1011)	306 (306)	300 (300)	340 (340)	380 (475)	-	895 (945)	500 (455)	M63
7-gangs	380 (380)	1081 (1131)	306 (306)	300 (300)	340 (340)	520 (475)	-	1015 (1065)	500 (455)	M63
8-gangs	380 (380)	1231 (1251)	306 (306)	300 (300)	340 (340)	350 (350)	790 (810)	1165 (1185)	640 (575)	M63
9-gangs	380 (380)	1351 (1371)	306 (306)	300 (300)	340 (340)	468 (350)	910 (810)	1285 (1305)	640 (575)	M63
10-gangs	380 (380)	1471 (1491)	306 (306)	300 (300)	340 (340)	468 (470)	910 (930)	1405 (1425)	760 (695)	M63

(Looping version, with two cable glands)

Please contact us for any tailor-made sizes

## General benefits of the VARITAIN series

**Generously dimensioned connection space**  
simplifies the installation of the supply cable

Available from 1 up to 10 gangs

High protection class **IP 67**

Exterior fixing lugs

High-quality **WISKA SPRINT** cable gland  
IP 68 and IP 69K, certified by Germanischer Lloyd



### VARITAIN customised equipment and accessories

- Monitoring socket, 4 poles
- Auxiliary switches and monitoring contacts wired on terminals
- Connection space as loop-through version for supply cable
- Installation of monitoring electronics
- Customised versions of casing (dimensions, fixations, colour)
- Bayonet cap of brass
- All thinkable housing dimensions possible due to welding construction
- Further approvals on request

**Minimal dimensions** due to compact construction for optimal use of space

All VARITAIN products are certified and approved by **Germanischer Lloyd**

Casing and lid of stainless steel exclusively, **both sides featuring electrostatic powder coating** with subsequent oven drying

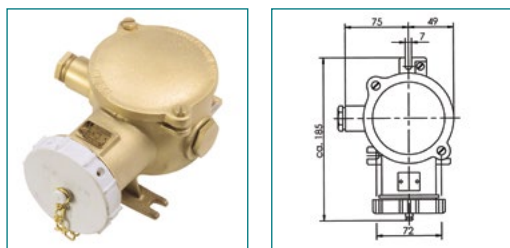
**Non-corrosive socket flange** with integrated socket insert

High-quality lamella contacts

Non-corrosive bayonet cap

One **circuit breaker** per outlet, with thermal magnetic tripping, 32 A rated current

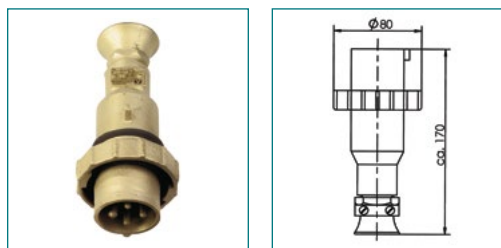
## CEE power socket 16 A without switch, IP 56



**Material:** Brass, non-corrosive bayonet cap  
**Equipment:** Without switch, without locking mechanism, according to DIN EN 60309, CEE 17/2, IEC 309, terminal / poles 3-pole + PE, clock face position protective earth conductor 3 h  
**Voltage:** Max. 500 V / AC  
**Variations:** MS = brass bayonet cap

Type	WISKA-No.	Cable Entry	Max. Sealing Range (mm)	Weight (kg)
16/0/L	10010751	-0 M24x1.5	17.5	2.0
16/0/R	10010752	0- M24x1.5	17.5	2.0
16/0/D	10010753	-0- M24x1.5	17.5	2.1

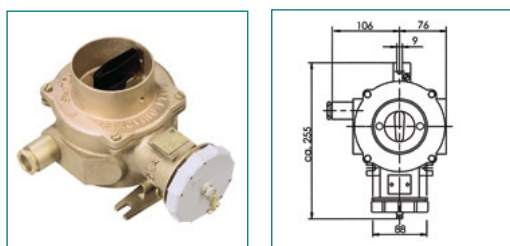
## CEE plug 16 A, IP 56



**Material:** Brass  
**Equipment:** According to DIN EN 60309, CEE 17/2, IEC 309, terminal / poles 3-pole + PE, clock face position protective earth conductor 3 h  
**Voltage:** Max. 500 V / AC

Type	WISKA-No.	Cable Entry	Max. Sealing Range (mm)	Weight (kg)
16/ST	10010754	M30x2	20.5	1.0

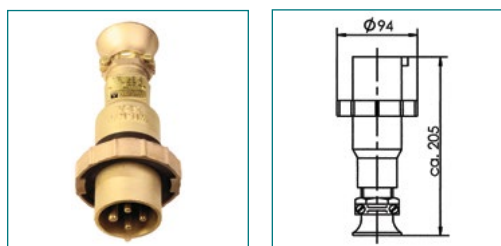
## CEE power socket 32 A with switch, IP 56



**Material:** Brass, non-corrosive bayonet cap  
**Equipment:** With switch and mechanical locking mechanism, according to DIN EN 60309, CEE 17/2, IEC 309, approval GL, terminal / poles 3-pole + PE, clock face position protective earth conductor 3 h  
**Voltage:** Max. 500 V / AC  
**Variations:** With monitoring socket, with 45° cable gland, MS = brass bayonet cap

Type	WISKA-No.	Cable Entry	Max. Sealing Range (mm)	Weight (kg)
32/94/L	10017008	-0 M30x2	20.5	5.4
32/94/R	10017009	0- M30x2	20.5	5.4
32/94/D	10017033	-0- M30x2	20.5	5.5

## CEE plug 32 A, IP 56



**Material:** Brass  
**Equipment:** According to DIN EN 60309, CEE 17/2, IEC 309, terminal / poles 3-pole + PE, clock face position protective earth conductor 3 h  
**Voltage:** Max. 500 V / AC

Type	WISKA-No.	Cable Entry	Max. Sealing Range (mm)	Weight (kg)
32/ST	10010766	M30x2	20.5	1.5

Please indicate operating voltage

## CEE plug 16 A, IP 67



**Material:** Non-metallic

**Equipment:** According to DIN EN 60309, CEE 17/2, IEC 309, terminal / poles 3-pole + PE, contact carrier: highly heat resistant, contacts: nickel-plated, clock face position protective earth conductor 3 h

**Voltage:** Max. 500 V / AC

**Variations:** Other clock face positions of earthing contacts

Type	WISKA-No.	Max. Sealing Range (mm)	Weight (kg)
16/ST/FS	50010755	19	0.2

## CEE coupling 16 A, IP 67



**Material:** Non-metallic

**Equipment:** According to DIN EN 60309, CEE 17/2, IEC 309, terminal / poles 3-pole + PE, contact carrier: highly heat resistant, contacts: nickel-plated, clock face position protective earth conductor 3 h

**Voltage:** Max. 500 V / AC

**Variations:** Other clock face positions of earthing contacts

Type	WISKA-No.	Max. Sealing Range (mm)	Weight (kg)
16/K/FS	50010756	19	0.2

## CEE plug 32 A, IP 67



**Material:** Non-metallic

**Equipment:** According to DIN EN 60309, CEE 17/2, IEC 309, terminal / poles 3-pole + PE, contact carrier: highly heat resistant, contacts: nickel-plated, clock face position protective earth conductor 3 h

**Voltage:** Max. 500 V / AC

**Variations:** Other clock face positions of earthing contacts

Type	WISKA-No.	Max. Sealing Range (mm)	Weight (kg)
32/ST/FS	50010767	24.5	0.3

## CEE coupling 32 A, IP 67



**Material:** Non-metallic

**Equipment:** According to DIN EN 60309, CEE 17/2, IEC 309, terminal / poles 3-pole + PE, contact carrier: highly heat resistant, contacts: nickel-plated, clock face position protective earth conductor 3 h

**Voltage:** Max. 500 V / AC

**Variations:** Other clock face positions of earthing contacts

Type	WISKA-No.	Max. Sealing Range (mm)	Weight (kg)
32/K/FS	50010768	24.5	0.3

Please indicate operating voltage

# WISKA VARITAIN

## CEE plug 63 A, IP 67



**Material:** Non-metallic

**Equipment:** According to DIN EN 60309, CEE 17/2, IEC 309, terminal / poles 3-pole + PE, contact carrier: highly heat resistant, contacts: nickel-plated, clock face position protective earth conductor 3 h

**Voltage:** Max. 500 V / AC

**Variations:** Other clock face positions of earthing contacts

Type	WISKA-No.	Max. Sealing Range (mm)	Weight (kg)
63/ST/FS	50010780	36	0.8

## CEE coupling 63 A, IP 67



**Material:** Non-metallic

**Equipment:** According to DIN EN 60309, CEE 17/2, IEC 309, terminal / poles 3-pole + PE, contact carrier: highly heat resistant, contacts: nickel-plated, clock face position protective earth conductor 3 h

**Voltage:** Max. 500 V / AC

**Variations:** Other clock face positions of earthing contacts

Type	WISKA-No.	Max. Sealing Range (mm)	Weight (kg)
63/K/FS	50010781	36	0.9

Please indicate operating voltage

## Spare parts

### VARITAIN PushIn



Description	Type	WISKA-No.	Current Intensity (A)	Weight (kg)
Socket module with WISKA MCCB 10 kA pre-wired, incl. fixing screws for VARITAIN PushIn	SP-SM/10kA/PI	22000424	32	0.80
Socket module with WISKA MCCB 25 kA pre-wired, incl. fixing screws for VARITAIN PushIn	SP-SM/25kA/PI	22000425	32	0.80
Socket module with LED for switching status and WISKA MCCB 10 kA pre-wired, incl. fixing screws for VARITAIN PushIn	SP-SM/LED/10kA/PI	22000426	32	0.80
Socket module with LED for switching status and WISKA MCCB 25 kA pre-wired, incl. fixing screws for VARITAIN PushIn	SP-SM/LED/25kA/PI	22000427	32	0.80
Circuit breaker 10 kA, WISKA MCCB for VARITAIN PushIn	SP-WISKA MCCB 10kA/PI	22000428	32	0.40
Circuit breaker 25 kA, WISKA MCCB for VARITAIN PushIn	SP-WISKA MCCB 25kA/PI	22000429	32	0.40
Current limiter for short-circuit-breaking capacity higher than 25 kA for VARITAIN OneTouch ECO and PushIn	SP-CL/OTE/PI	22000391	32	0.40
Bayonet cap CEE 32 A made of non-corrosive material with non-corrosive fastening belt for VARITAIN OneTouch ECO / PushIn	SP-BC/FS-CEE/B/FS/OTE/PI	22000403		0.10
Lid gasket with glue for VARITAIN series (350 cm)	SP-LID GASKET	22000431		0.10
Cap nuts for lid, socket flange and socket module for VARITAIN series	SP-CAP NUTS M6	22000402		0.10
Pressure compensation unit VentPLUG M12 for VARITAIN PushIn	SP-VENTPLUG 12/PI	22000430		0.10



## VARITAIN OneTouch ECO



Description	Type	WISKA-No.	Current Intensity (A)	Weight (kg)
Circuit breaker 10 kA, WISKA MCCB with teflon disc & safety pin for VARITAIN OneTouch ECO	SP-WISKA MCCB 10kA/OTE	22000389	32	0.40
Circuit breaker 25 kA, WISKA MCCB with teflon disc & safety pin for VARITAIN OneTouch ECO	SP-WISKA MCCB 25kA/OTE	22000390	32	0.40
Current limiter for short-circuit-breaking capacity higher than 25 kA for VARITAIN OneTouch ECO and PushIn	SP-CL/OTE/PI	22000391	32	0.40
Spacer for circuit breaker WISKA MCCB with fixing screws for VARITAIN OneTouch ECO	SP-SPACER/OTE	22000392		0.10
Socket flange made of non-corrosive material incl. fixing screws for OneTouch series	SP-SF/FS/OT/OTE	22000397		0.15
Socket flange made of brass, incl. fixing screws for OneTouch series	SP-SF/MS/OT/OTE	22000398		0.75
Socket insert incl. switching mechanism for OneTouch ECO	SP-SI/OTE	22000399		0.30
Bayonet cap CEE 32 A made of non-corrosive material with non-corrosive fastening belt for VARITAIN OneTouch ECO / PushIn	SP-BC/FS-CEE/B/FS/OTE/PI	22000403		0.10
Bayonet cap CEE 32 A made of brass with fastening chain made of brass for VARITAIN series	SP-BC/MS-CEE/C/MS	22000400		0.50
Lid gasket with glue for VARITAIN series (350 cm)	SP-LID GASKET	22000431		0.10
Cap nuts for lid, socket flange and socket module for VARITAIN series	SP-CAP NUTS M6	22000402		0.10

## General Spare Parts for Reefer Sockets









Description	Type	WISKA-No.	Current Intensity (A)	Weight (kg)
Circuit breaker 10 kA, MCCB for VARITAIN OneTouch	SP- MCCB 10kA/OT	on request	32	0.40
Circuit breaker 25 kA, MCCB for VARITAIN OneTouch	SP- MCCB 25kA/OT	on request	32	0.40
Socket flange made of non-corrosive material incl. fixing screws for OneTouch series	SP-SF/FS/OT/OTE	22000397		0.15
Socket flange made of brass, incl. fixing screws for OneTouch series	SP-SF/MS/OT/OTE	22000398		0.75
Socket insert incl. switching mechanism for OneTouch	SP-SI/OT	22000405		0.30
Bayonet cap CEE 32 A made of non-corrosive material with fastening chain made of brass for VARITAIN series	SP-BC/FS-CEE/C/MS/C/OT/OTE	22000401		0.10
Bayonet cap CEE 32 A made of brass with fastening chain made of brass for VARITAIN series	SP-BC/MS-CEE/C/MS	22000400		0.50
Lid gasket with glue for VARITAIN series (350 cm)	SP-LID GASKET	22000431		0.10
Cap nuts for lid, socket flange and socket module for VARITAIN series	SP-CAP NUTS M6	22000402		0.10

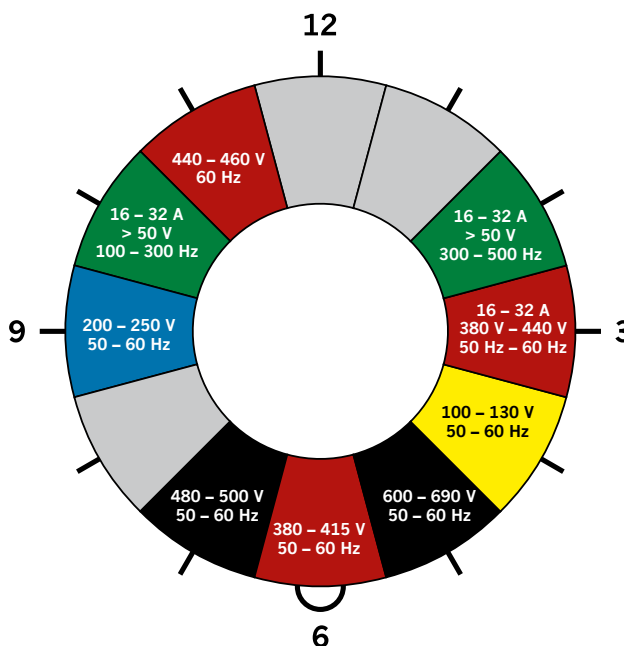
## CEE standards

CEE plugs and sockets are controlled by the International Standard in the publication 17/2, DIN EN 60309, IEC publication 309 and VDE 0623. This standard covers the non-interchangeability of plugs, sockets and couplings of differing voltage, current and frequency. This is controlled by the position of the earth contact, in relation to a keyway, which is always at the 6 o'clock (6 h) position. Furthermore, the earth contact pin is longer and has a larger diameter than the pins for power contacts.

WISKA manufactures CEE plugs and sockets with 3 poles and earth, for 16, 32 and 63 Amps, and voltages up to 500 V. The standard position for the earth on 'reefer' container is 3 o'clock (3 h) for a voltage of 380 / 440 V at 50 – 60 Hz. However, when ordering, it is always important to specify clearly the earth position required – as the CEE specifications do not allow for subsequent alteration of the earth position by the user.

Clock face position of earthing contacts with respect to non-interchangeability of keyway (Top plan view socket resp. coupling interior).	3 h	4 h	6 h	7 h	9 h	11 h
Frequency Hz	50 – 60	50 – 60	50 – 60	50 – 60	50 – 60	60
Voltage V	380 / 440	110 / 130	380 / 415	500	220 / 240	440
3 poles + earth						
	WISKA Standard					

The clock face position of the protective earth conductor indicates voltage and frequency (3-pole + PE fig.).



Please find our General Terms and Conditions on [www.wiska.de/gtc](http://www.wiska.de/gtc); alternatively we will be happy to send you a hardcopy on request.

## The WISKA range of products



### WISKA CCTV: MARITIME CAMERA SURVEILLANCE

Digital CCTV Technology

Safety and Security Systems

ISPS Solutions



### MARITIME LIGHTING & ELECTRICAL EQUIPMENT

Searchlights and Signalling Searchlights

Pan / Tilt Units

Floodlights and Lighting Fixtures

Installation Material of aluminium, brass, stainless steel, non-metallic (HNA material, Junction Boxes, Switches, Sockets)

Ex Lighting

Ex Junction Boxes, Ex Switches, Ex Sockets

Reefer Container Sockets

CEE devices



### CABLE GLANDS & ACCESSORIES

Standard Glands / Accessories

Special glands (EMC, Ex, Pressure Compensation, Hygienic Design), accessories

Maritime glands acc. to DIN 89280

Junction Boxes

**WISKA Hoppmann & Mulsow GmbH**

Kisdorfer Weg 28  
24568 Kaltenkirchen  
Germany

 +49-4191-508-0  
 +49-4191-508-209  
wiska@wiska.de  
www.wiska.de