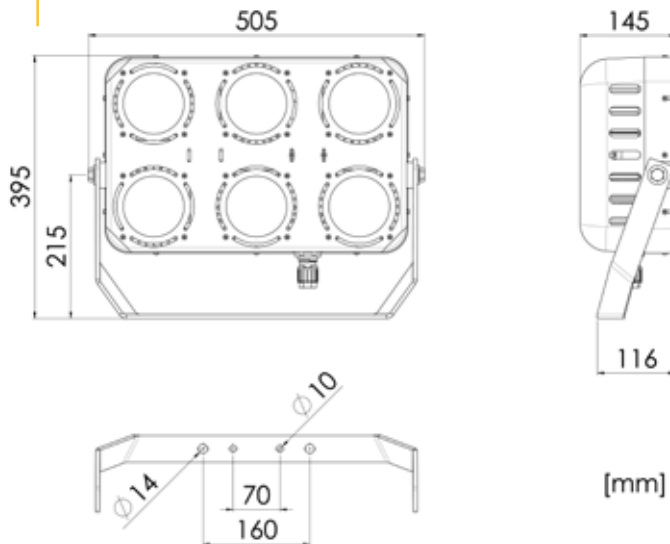




High Power LED floodlight for decks, holds, industrial areas and seaports

Design	According to rules of maritime classification societies and relevant standards
Housing	Gear tray stainless steel 1.4404 (AISI 316L), powder coated RAL9016. Back side covered with opal PC hood
Reflectors	22°, 37°, 52°, 91° available
Safety pane	Tempered glass, DIN 12150, clear
Cable entry	IDC fast connection, 1x Cable Ø 9-14mm
Mounting	Stainless steel brackets, adjustable
Protection class	IP66/67
Weight	14 kg

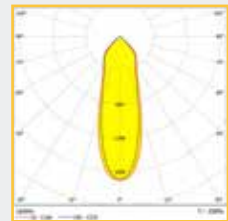


Extras

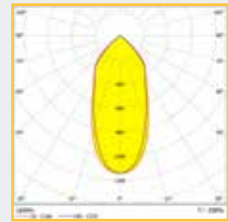
- Mix of different beam angles in one arrangement possible
- CCT also optional in 2,700-4,000 K available
- Cable entry : 2x IDC Fast connection , 2 x Cable Ø 9-14mm
- Power supply : preinstalled connection cable 3G2.5, 3 meters

Part no. 5101006600-xxx

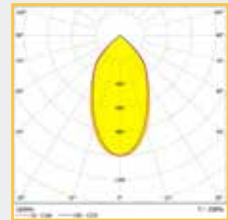
Light source	6x LED engine
Wattage	6x 50 W
Equivalent	400 W HST/HIT
CCT (color)	5,000 K
Luminous flux	30,000 LM at Ta 20°C
Voltage	100-277 V AC
Frequency	50-60 Hz



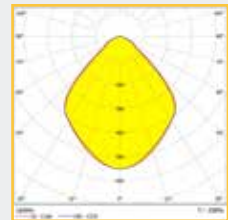
5101006600-001, 22° angle



5101006600-002, 37° angle



5101006600-003, 52° angle



5101006600-004, 91° angle

Spare parts	Part no.
LED Engine:	
22°	7308000200
37°	7308000300
52°	7308000400
91°	7308000500
PC Hood	7502007000
Bracket	7501000100
Cable entry	7211004800

