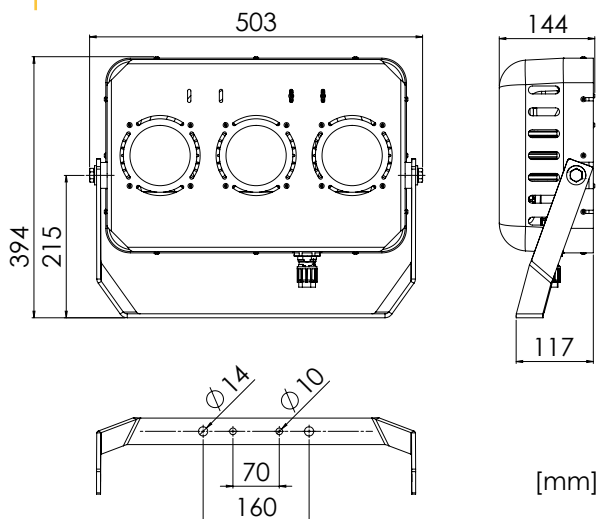




## High Power LED floodlight for decks, holds, industrial areas and seaports

<b>Design</b>	According to rules of maritime classification societies and relevant standards
<b>Housing</b>	Gear tray stainless steel 1.4404 (AISI 316L), powder coated RAL9016. Back side covered with opal PC hood
<b>Reflectors</b>	22°, 37°, 52°, 91° available
<b>Safety pane</b>	Tempered glass, DIN 12150, clear
<b>Cable entry</b>	IDC fast connection, 1x Cable Ø 9-14mm
<b>Mounting</b>	Stainless steel brackets, adjustable
<b>Protection class</b>	IP66/67
<b>Weight</b>	10 kg

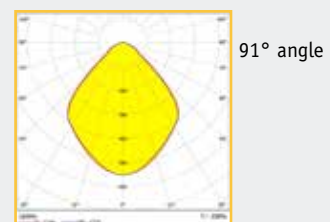
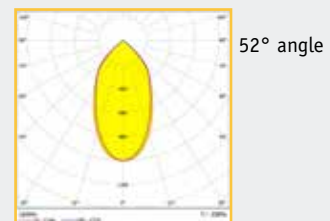
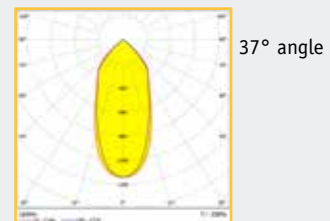
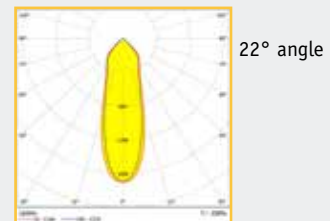


### Extras

- Mix of different beam angles in one arrangement possible
- CCT also optional in 2,700-4,000 K available
- Cable entry : 2x IDC Fast connection , 2 x Cable Ø 9-14m
- Power supply : preinstalled connection cable 3G2.5, 3 meters

Part no. 5101007300-xxx

<b>Light source</b>	3x LED engine
<b>Wattage</b>	3x 50 W
<b>CCT (color)</b>	5,000 K
<b>Luminous flux</b>	15.000 LM ab Ta 20°C
<b>Voltage</b>	100-277 V AC
<b>Frequency</b>	50-60 Hz



Spare parts	Part no.
<b>LED Engine:</b>	
22°	7308000200
37°	7308000300
52°	7308000400
91°	7308000500
PC Hood	7502007000
Bracket	7501000100
Cable entry	7211004800