



Part no. 5101001700-xxx

Light source | HST/HIT lamp
(not included)

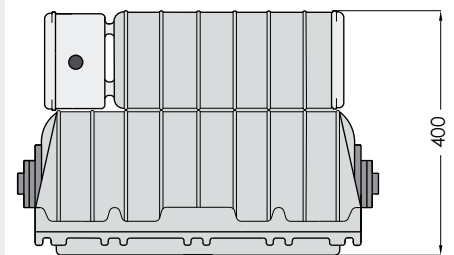
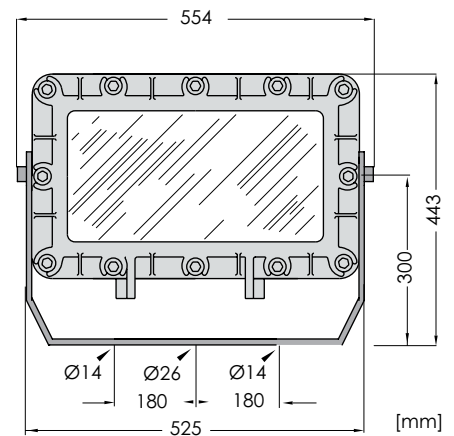
Lamp base | E40

Voltage | 230 V AC

Frequency | 50 Hz or 60 Hz

**Explosion proof floodlight, max. 1x 250 W –
1x 600 W for HST/HIT lamps with integrated ballast**

Design	According to rules of maritime classification societies and relevant standards
Ex marking	II 2G Ex de IIB T3-T4 Gb II 2D Ex tb IIC T85°C-T210°C Db IP66
Housing	Copper-free aluminium with grey polyester paint finish
Cover	Borosilicate glass
Mounting	Stainless steel bracket, adjustable
Reflector	Aluminium anodized
Cable entry	2 cable entries M25 (one Ex-e cable gland, one plugged)
Ballast	Electromagnetic ballast with capacitor (included)
Wiring	Flexible wiring, high temperature resistant
Protection class	IP67
Weight	31.0 kg



Lamp	Code	Type	Part no.	Ta (gas)	Temp.
HST/HIT 250W	PX 0425	50 Hz	5101001700-005	T3	-20° C - +55° C
				T4	-20° C - +40° C
		60 Hz	5101001700-001	T3	-20° C - +55° C
				T4	-20° C - +40° C
HST/HIT 400W	PX 0440	50 Hz	5101001700-006	T3	-20° C - +55° C
				T4	-20° C - +40° C
		60 Hz	5101001700-002	T3	-20° C - +55° C
				T4	-20° C - +40° C
HST 600W	PX 0460	50 Hz	5101001700-007	T2	-20° C - +55° C
				T3	-20° C - +40° C
		60 Hz	5101001700-003	T2	-20° C - +55° C
				T3	-20° C - +40° C

