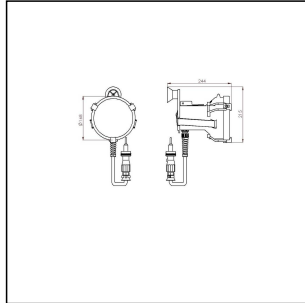


HML-ISO 35-5-C-W-F00-A01

Day Signalling Searchlight



Product illustrations are exemplary and may differ from the chosen product. Further variants and individual customization, we will gladly provide you on request.



WISKA-Order no.	10100903
Type	HML-ISO 35-5-C-W-F00-A01
Material	Polyamide, fibre reinforced
Material globe/diffuser	Polycarbonate
Colour	Black
Wattage	30 W
Voltage	24 V
Type of Voltage	DC
Protection class	IP56
Operational areas	Outdoor, Emergency
Temp. range min	-25 °C
Temp. range max	55 °C
Lamp	Halogen lamp
Reflector	Glass
Lamp	included
Lamp shape	reflector
Average lamp durability	4000 h
Globe colour	Clear
Light performance	immediately
Lampholder	GY6,35
Number of lampholder	1 ST
Material cable gland	Polyamide
Power cable	H07RN-F 2x1,5mm ²
Ø cable diameter min	6 mm
Ø cable diameter max	13 mm

External dimensions LxWxH

160 x 244 x 215 mm

Approval	DNV
Weight	12,3 kg
Equipment	without filter, incl. PowerPack + Charger
Advice	Case

Equipment:

- Toughened front glass
- Rubber sealing
- Quick fastening rubber
- Sighting device
- Micro switch for left- and right hander
- mounted halogen lamp + 3 spare lamps
- Connection cable 5m
- SOS function
- Permanent light function
- Cargo and storage in watertight, IP 67 (1m; 30min) crushproof and dust proof case
- This device is built at least according to requirements of ABS, BV, DNV, GL, LR, PRS

Recommended accessories

HML-ISO 35 Extension 5m 2-wire	10013574
SP-HML-ISO 35 Filter, blue	22000467
SP-HML-ISO 35 Filter, green	22000468
SP-HML-ISO 35 Filter, red	22000469

Spare parts

SP-HML-ISO 35 Surrounding frame	22000456
SP-HML-ISO 35 Front cover, clear	22000457
SP-HML-ISO 35 Quick release rubber	22000460
SP-HML-ISO 35 Concentric plug 117	22000463
SP-HML-ISO 35 Concentric socket DK 503	22000464
SP-HML-ISO 35 Power Pack	22000465
SP-HML-ISO 35 Charger	22000466
SP-HML-ISO 35 Halogen lamp 30W 12V	22000470
SP-HML-ISO 35 Accu 12V 11,3Ah	22000616

08.02.2017

