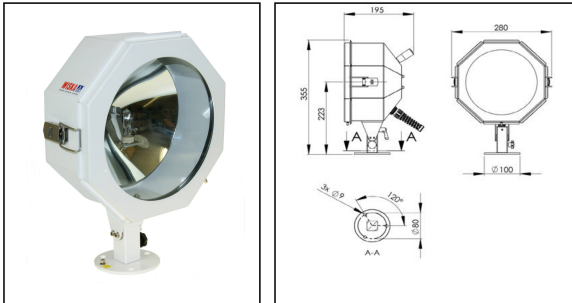


SW200 -100-X(24)-P17

Searchlight for halogen lamps 100W/24V glass reflector



Product illustrations are exemplary and may differ from the chosen product. Further variants and individual customization, we will gladly provide you on request.



WISKA-Order no.	10102373
Type	SW200 -100-X(24)-P17
Material	Stainless steel
Colour	RAL 9016
Surface	Powder coated
Wattage	100 W
Voltage max. (V)	24 V
Type of Voltage	AC / DC
Protection class	IP56
Operational areas	Outdoor
Reflector	Glass
Focusing	fixed focus
Lamp	Halogen lamp
Lamp	not included
Light performance	immediately
Range (1 lux)	648 m
Light intensity mio/cd	0,4
Divergence	3,5°/10
Lampholder	G6,35
Number of lampholder	1 ST
Temp. range min	-25 °C
Temp. range max	45 °C
Type of cable gland	ESVGS 20
Material cable gland	Polyamide
Type of cable	non-armoured

Power cable	H07RN-F 3x1,5mm ²
Ø cable diameter min	6 mm
Ø cable diameter max	13 mm
Globe colour	Clear
External dimensions LxWxH	280 x 195 x 355
Mounting	Upside

Remarks:

SW200: Searchlight for halogen lamp 24V, IP56, glass parabolic mirror 200mm

100W

Voltage: 24V

P17: deck D200V, stainless steel

Equipment:

- Toughened front glass
- Rubber sealing
- Quick fastening devices
- Connection cable 3m
- This device is built at least according to requirements of ABS, BV, DNV, GL, LR, PRS

Spare parts

SP-S-Quick releases clamp 4 pieces	22000050
SP-SW200 Front frame + Front glass S200	22000097
SP-SW-Halogen lamp 100W 24V G6,35	22000098
SP-SW200 Mirror unit 100W	22000102
SP-SW-Gasket for searchlight housing	22000116
SP-SW200 Deck, cpl. D 200	22000119

28.03.2017

