

Part no. 2x 10 W 5111009400-xxx
2x 20 W 5111009500-xxx

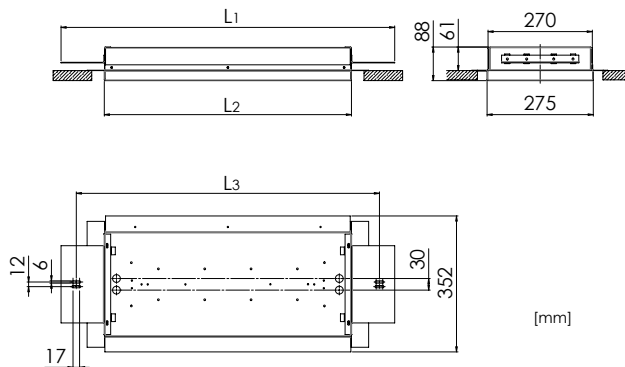
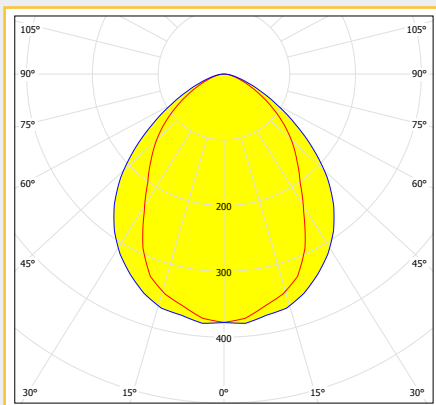
Light source	Linear LP LED modules
Wattage	2x 10 W / 2x 20 W
Equivalent	2x 14 / 2x 28 W FL T5 2x 18 / 2x 36 W FL T8
CCT (color)	3,000 K or 4,000 K
CRI	≥ 80
Voltage	110-240 V AC
Frequency	50-60 Hz



Ceiling luminaire for recessed installation in panel ceilings (DAMPA DCC300)

Design
Housing
Diffuser
Mounting
Cable entry
Protection class
Weight

According to rules of maritime classification societies and relevant standards
Galvanized steel, powder coated white (RAL9016)
Clear polycarbonate with ice crystal or prismatic structure or parabolic louver
Mounting brackets and side rails
4x M20 inlets for cables max. Ø 11 mm
IP44 in conjunction with ceiling, IP20 with louver
6.6 kg (2x 10 W) / 9.1 kg (2x 20 W)



Type	L1	L2	L3
2x 10 W	864	640	785
2x 20 W	1477	1250	1398

Spare parts

LED module kit 10 W	7409001400
LED module kit 20 W	7409001500
LED driver	7103011100
Ice crystal cover (2x 10 W)	7931001300
Ice crystal cover (2x 20 W)	7931001400

Extras

24 V DC

Dimmable

Emergency battery back-up

Alternative housing colors on request

Wide range of different diffusers available