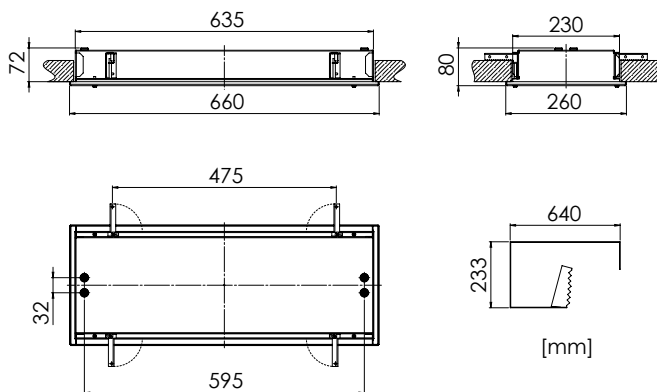




Recessed mounted ceiling luminaire for accommodation and public areas

| | |
|-------------------------|--|
| Design | According to rules of maritime classification societies and relevant standards |
| Housing | Galvanized steel, powder coated white (RAL9016) |
| Diffuser | Clear polycarbonate, ice crystal structure or louver |
| Mounting | Mounting set for ceilings 23-55 mm |
| Cable entry | 4x M20 inlets for cables max. Ø 11 mm |
| Protection class | IP44 in conjunction with ceiling, IP20 with louver |
| Weight | 5.3 kg |



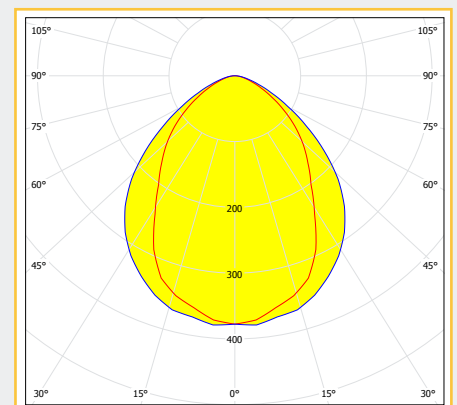
Extras

| |
|---|
| 2x 20 W Linear LP LED modules |
| 24 V DC |
| Dimmable |
| Emergency battery back-up |
| Different mounting sets on request |
| Wide range of different louvers and diffusers available |

Technical modification reserved without prior notice

Part no. 5111009600-xxx

| | |
|---------------------|--------------------------------|
| Light source | Linear LP LED modules |
| Wattage | 2x 10 W |
| Equivalent | 2x 14 W FL T5 2x 18 W FL T8 |
| CCT (color) | 3,000 K or 4,000 K |
| CRI | ≥ 80 |
| Voltage | 110-240 V AC |
| Frequency | 50-60 Hz |



Spare parts

| | |
|-------------------|------------|
| LED module kit | 7409001400 |
| LED driver | 7103011100 |
| Ice crystal cover | 7931001200 |