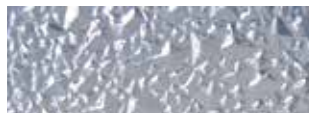




with louver



with icocrystal diffuser

Recessed mounted ceiling luminaire for passage ways, lounges, dining rooms, accommodation areas

Design	According to rules of maritime classification societies and relevant standards
Housing	Galvanized steel, powder coated white (RAL9010)
Diffuser	Clear polycarbonate with ice crystal structure
Mounting	Mounting set for ceilings 23-55 mm
Cable entry	2 cable entries, Ø 20 mm
Wiring	Flexible wiring, heat resistant up to 105°C
Protection class	With diffuser pane: IP44 in conjunction with ceiling With louver: IP20
Weight	3.3 kg (2x 18 W) / 5.5 kg (2x 36 W)

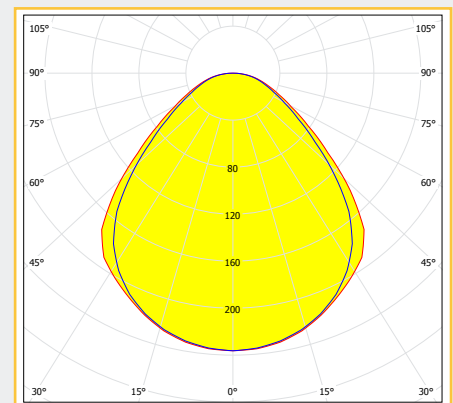
Extras

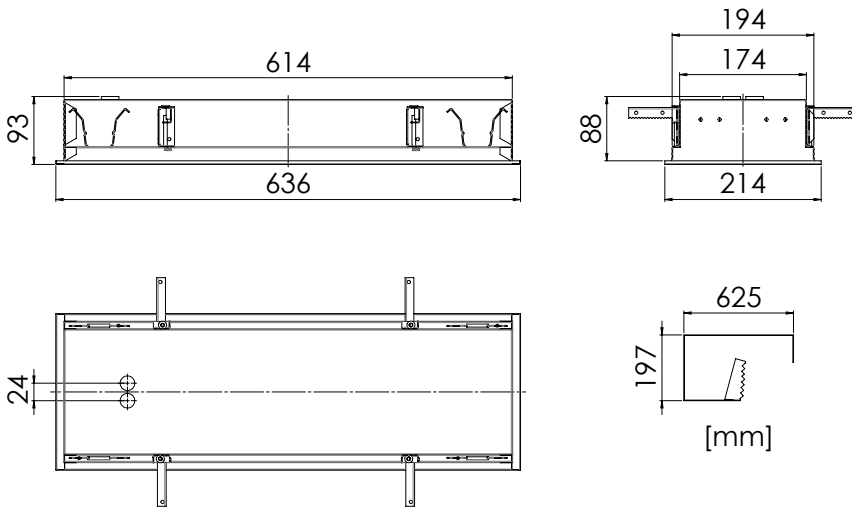
- T5 execution (14 W, 24 W, 28 W, 50 W)
- 120 V AC execution
- LED execution
- Dimmable electronic ballast
- Electromagnetic ballast
- Different louvers and diffusers on request
- Different housing colors on request
- Different cable entries on request
- Additional E14 lamp holder for emergency light
- Emergency battery back-up

Part no. 2x 18 W 5111005600-015
2x 36 W 5111005000-017

Light source	T8 fluorescent tubes (not included)
Lamp base	G13
Wattage	2x 18 W 2x 36 W
Voltage	220-240 V AC
Frequency	50-60 Hz

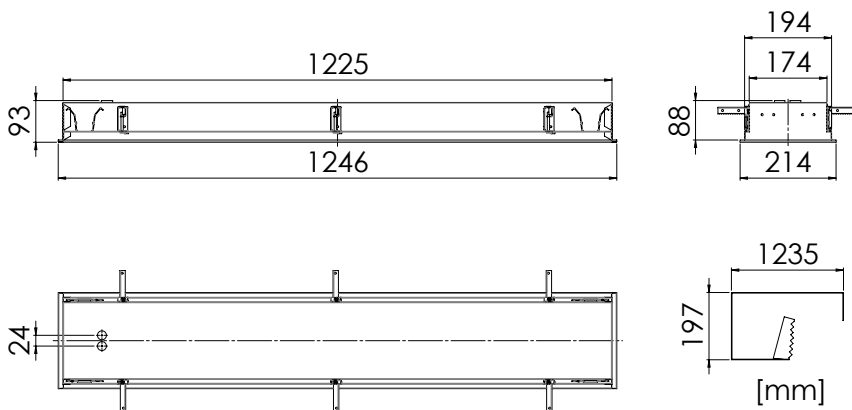
2x 18 W





Part no. 5111005600-xxx

Spare parts	Part no.
Frame w.diffuser 18 W	7112026800
Lamp holder G13 (4 pcs)	7111018300
w. spring (4 pcs)	7111019000
Mounting set	7501001800



Part no. 5111005000-xxx

Spare parts	Part no.
Frame w.diffuser 36 W	7112021800
Lamp holder G13 (4 pcs)	7111018300
w. spring (4 pcs)	7111019000
Mounting set	7501001800