

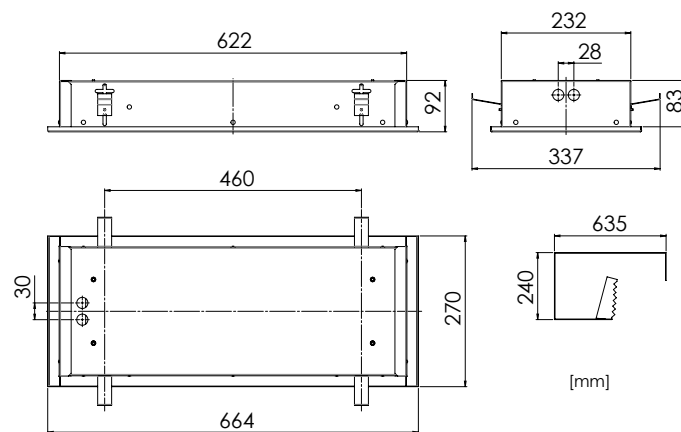
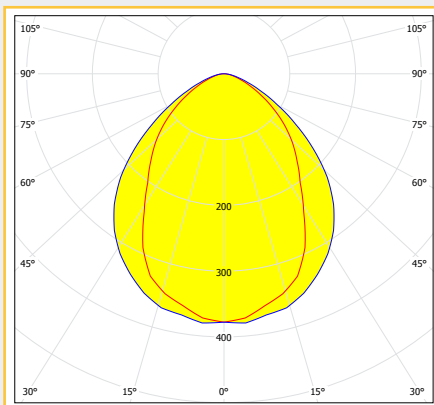
Part no. 5111008800-xxx

Light source	Linear LP LED modules
Wattage	2x 10 W
Equivalent	2x 14 W FL T5 2x 18 W FL T8
CCT (color)	3,000 K or 4,000 K
CRI	≥ 80
Voltage	110-240 V AC
Frequency	50-60 Hz



Recessed mounted ceiling luminaire for accommodation and public areas

Design	According to rules of maritime classification societies and relevant standards
Housing	Galvanized steel, powder coated white (RAL9016)
Diffuser	Clear polycarbonate with ice crystal structure
Mounting	4 mounting brackets for ceilings max. 35 mm
Cable entry	4 cable entries, Ø 20 mm
Protection class	IP44 in conjunction with ceiling
Weight	5.4 kg



Spare parts

LED module kit	7409001400
LED driver	7103011100
Ice crystal cover	7931001100

Extras

- 2x 20 W Linear LP LED modules
- 24 V DC
- Dimmable
- Emergency battery back-up
- Wide range of different diffusers available